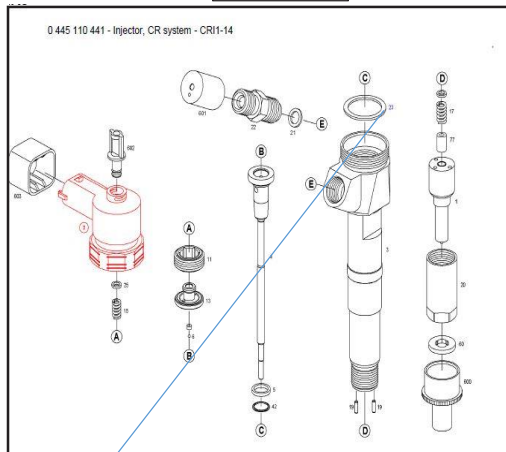


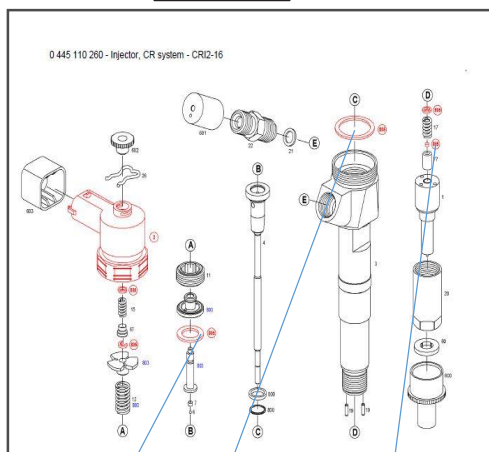
Shims positions in CRI/CRIN ESI exploded view

CRI 1-14



1. AH / RLS Shim

CRI 2-16

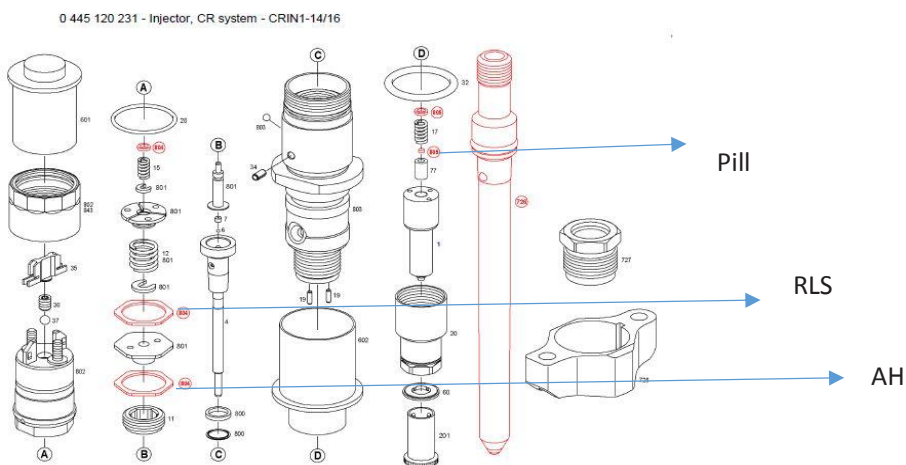


1. AH Shim

2. RLS shim

3. Pill

CRIN 1

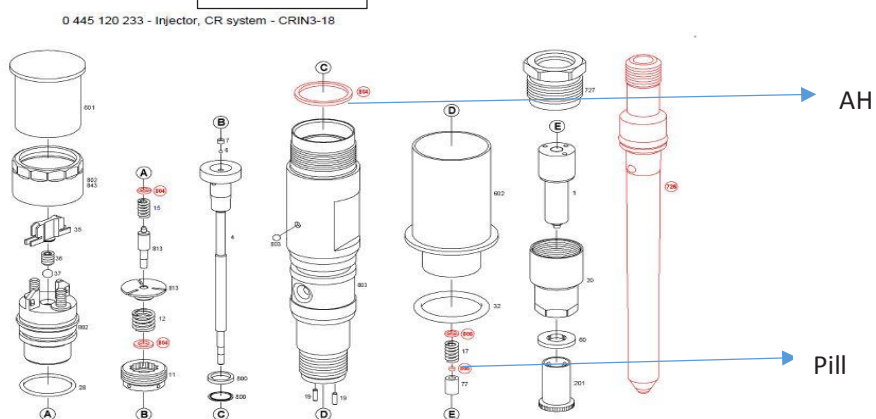


Pill

RLS

AH

CRIN 2 / 3



AH

Pill

AH – Armature Stroke
 RLS – Residual Air Gap
 Pill / Thrust Member



SHIM-SET CRI(N) FCR Stage 3			Actual/ New/ Replaced		Old/ Obsolete	
			Part No	pos ESI List	Part No	pos ESI List
CRI/N Base set	A	Valve spring force CRI1; Nozzle spring force all	F00ZC99669	860	F00ZC99170	805,0
	B	Nozzle needle stroke pill	F00ZC99721	861	F00ZC99171	805,1
	C	Nozzle needle stroke thrust member	F00ZC99759	862	F00ZC99172	805,2
CRI set	D	Residual air gap CRI2.1	F00ZC99785	863	F00ZC99173	805,3
	E	Valve spring force CRI2.2	F00ZC99983	864	F00ZC99174	805,4
	F	Excess lift CRI2.0, 2.2	F00ZC99818	865	F00ZC99175	805,5
	G	Valve spring force CRI2.1	F00ZC99831	866	F00ZC99176	805,6
	H	Residual air gap CRI2.1; Armature stroke CRI2.1	F00ZC99858	867	F00ZC99177	805,7
	J	Armature stroke CRI1, 2.0, 2.2	F00ZC99955	868	F00ZC99178	805,8
CRIN set	K	Excess lift CRIN2+3	F00RJ04735	854	F00RJ02759	804,5
	L	Solenoid spring initial load CRIN all	F00RJ04733	852	F00RJ02757	804,3
	M	Armature stroke CRIN2+3	F00RJ04734	853	F00RJ02758	804,4
	N	Armature stroke CRIN1	F00RJ04731	850	F00RJ02755	804,1
	P	Residual air gap CRIN1	F00RJ04732	851	F00RJ02756	804,2
Japan CRIN	R	Excess lift Japanese CRIN2+3	F00RJ03110	807	no Change	

Valve spring force CRI1: Nozzle spring force

F00ZC99669

Corresponding shim box label	F00ZC99170	F00ZC99669		Size in MM	
	Old/ Obsolete	Actual/ Replaced/ New			
	Part No	Part No	Qty	from	to
	Parts inside the kit	Parts inside the kit			
F00VC10570	F00ZC99057	F00ZC99670	5 pcs	1,000	1,010
F00VC10572	F00ZC99058	F00ZC99671	5 pcs	1,020	1,030
F00VC10574	F00ZC99059	F00ZC99672	5 pcs	1,040	1,050
F00VC10576	F00ZC99060	F00ZC99673	5 pcs	1,060	1,070
F00VC10578	F00ZC99061	F00ZC99674	5 pcs	1,080	1,090
F00VC10580	F00ZC99062	F00ZC99675	5 pcs	1,100	1,110
F00VC10582	F00ZC99063	F00ZC99676	5 pcs	1,120	1,130
F00VC10584	F00ZC99064	F00ZC99677	5 pcs	1,140	1,150
F00VC10586	F00ZC99065	F00ZC99678	5 pcs	1,160	1,170
F00VC10588	F00ZC99066	F00ZC99679	5 pcs	1,180	1,190
F00VC10590	F00ZC99067	F00ZC99680	5 pcs	1,200	1,210
F00VC10592	F00ZC99068	F00ZC99681	5 pcs	1,220	1,230
F00VC10594	F00ZC99069	F00ZC99682	5 pcs	1,240	1,250
F00VC10596	F00ZC99070	F00ZC99683	5 pcs	1,260	1,270
F00VC10598	F00ZC99071	F00ZC99684	5 pcs	1,280	1,290
F00VC10600	F00ZC99072	F00ZC99685	5 pcs	1,300	1,310
F00VC10602	F00ZC99073	F00ZC99686	5 pcs	1,320	1,330
F00VC10604	F00ZC99074	F00ZC99687	5 pcs	1,340	1,350
F00VC10606	F00ZC99075	F00ZC99688	5 pcs	1,360	1,370
F00VC10608	F00ZC99076	F00ZC99689	5 pcs	1,380	1,390
F00VC10610	F00ZC99077	F00ZC99690	5 pcs	1,400	1,410
F00VC10612	F00ZC99078	F00ZC99691	5 pcs	1,420	1,430
F00VC10614	F00ZC99079	F00ZC99692	5 pcs	1,440	1,450
F00VC10616	F00ZC99080	F00ZC99693	5 pcs	1,460	1,470
F00VC10618	F00ZC99081	F00ZC99694	5 pcs	1,480	1,490
F00VC10620	F00ZC99082	F00ZC99695	5 pcs	1,500	1,510
F00VC10622	F00ZC99083	F00ZC99696	5 pcs	1,520	1,530
F00VC10624	F00ZC99084	F00ZC99697	5 pcs	1,540	1,550
F00VC10626	F00ZC99085	F00ZC99698	5 pcs	1,560	1,570
F00VC10628	F00ZC99086	F00ZC99699	5 pcs	1,580	1,590
F00VC10630	F00ZC99087	F00ZC99700	5 pcs	1,600	1,610
F00VC10632	F00ZC99088	F00ZC99701	5 pcs	1,620	1,630
F00VC10634	F00ZC99089	F00ZC99702	5 pcs	1,640	1,650
F00VC10636	F00ZC99090	F00ZC99703	5 pcs	1,660	1,670
F00VC10638	F00ZC99091	F00ZC99704	5 pcs	1,680	1,690
F00VC10640	F00ZC99092	F00ZC99705	5 pcs	1,700	1,710
F00VC10642	F00ZC99093	F00ZC99706	5 pcs	1,720	1,730

Valve spring force CRI1: Nozzle spring force **contd.**

F00ZC99669

F00VC10644	F00ZC99094	F00ZC99707	5 pcs	1,740	1,750
F00VC10646	F00ZC99095	F00ZC99708	5 pcs	1,760	1,770
F00VC10648	F00ZC99096	F00ZC99709	5 pcs	1,780	1,790
F00VC10650	F00ZC99097	F00ZC99710	5 pcs	1,800	1,810
F00VC10652	F00ZC99098	F00ZC99711	5 pcs	1,820	1,830
F00VC10654	F00ZC99099	F00ZC99712	5 pcs	1,840	1,850
F00VC10656	F00ZC99100	F00ZC99713	5 pcs	1,860	1,870
F00VC10658	F00ZC99101	F00ZC99714	5 pcs	1,880	1,890
F00VC10660	F00ZC99102	F00ZC99715	5 pcs	1,900	1,910
F00VC10662	F00ZC99103	F00ZC99716	5 pcs	1,920	1,930
F00VC10664	F00ZC99104	F00ZC99717	5 pcs	1,940	1,950
F00VC10666	F00ZC99105	F00ZC99718	5 pcs	1,960	1,970
F00VC10668	F00ZC99106	F00ZC99719	5 pcs	1,980	1,990
F00VC10670	F00ZC99107	F00ZC99720	5 pcs	2,000	2,010

Nozzle needle stroke Pill

F00ZC99721

Corresponding shim box label	F00ZC99171	F00ZC99721		Size in MM	
	Old/ Obsolete	Actual/ Replaced/ New			
	Part No	Part No	Qty	from	to
	Parts inside the kit	Parts inside the kit			
F00VC12500	F00ZC99108	F00ZC99722	5 pcs	1,000	1,005
F00VC12502	F00ZC99109	F00ZC99723	5 pcs	1,010	1,015
F00VC12504	F00ZC99110	F00ZC99724	5 pcs	1,020	1,025
F00VC12506	F00ZC99111	F00ZC99725	5 pcs	1,030	1,035
F00VC12508	F00ZC99112	F00ZC99726	5 pcs	1,040	1,045
F00VC12510	F00ZC99113	F00ZC99727	5 pcs	1,050	1,055
F00VC12512	F00ZC99114	F00ZC99728	5 pcs	1,060	1,065
F00VC12514	F00ZC99115	F00ZC99729	5 pcs	1,070	1,075
F00VC12516	F00ZC99116	F00ZC99730	5 pcs	1,080	1,085
F00VC12518	F00ZC99117	F00ZC99731	5 pcs	1,090	1,095
F00VC12520	F00ZC99118	F00ZC99732	5 pcs	1,100	1,105
F00VC12522	F00ZC99119	F00ZC99733	5 pcs	1,110	1,115
F00VC12524	F00ZC99120	F00ZC99734	5 pcs	1,120	1,125
F00VC12526	F00ZC99121	F00ZC99735	5 pcs	1,130	1,135
F00VC12528	F00ZC99122	F00ZC99736	5 pcs	1,140	1,145
F00VC12530	F00ZC99123	F00ZC99737	5 pcs	1,150	1,155
F00VC12532	F00ZC99124	F00ZC99738	5 pcs	1,160	1,165
F00VC12534	F00ZC99125	F00ZC99739	5 pcs	1,170	1,175
F00VC12536	F00ZC99126	F00ZC99740	5 pcs	1,180	1,185
F00VC12538	F00ZC99127	F00ZC99741	5 pcs	1,190	1,195
F00VC12540	F00ZC99128	F00ZC99742	5 pcs	1,200	1,205
F00VC12542	F00ZC99129	F00ZC99743	5 pcs	1,210	1,215
F00VC12544	F00ZC99130	F00ZC99744	5 pcs	1,220	1,225
F00VC12546	F00ZC99131	F00ZC99745	5 pcs	1,230	1,235
F00VC12548	F00ZC99132	F00ZC99746	5 pcs	1,240	1,245
F00VC12550	F00ZC99133	F00ZC99747	5 pcs	1,250	1,255
F00VC12552	F00ZC99134	F00ZC99748	5 pcs	1,260	1,265
F00VC12554	F00ZC99135	F00ZC99749	5 pcs	1,270	1,275
F00VC12556	F00ZC99136	F00ZC99750	5 pcs	1,280	1,285
F00VC12558	F00ZC99137	F00ZC99751	5 pcs	1,290	1,295
F00VC12560	F00ZC99138	F00ZC99752	5 pcs	1,300	1,305
F00VC12562	F00ZC99139	F00ZC99753	5 pcs	1,310	1,315
F00VC12564	F00ZC99140	F00ZC99754	5 pcs	1,320	1,325
F00VC12566	F00ZC99141	F00ZC99755	5 pcs	1,330	1,335
F00VC12568	F00ZC99142	F00ZC99756	5 pcs	1,340	1,345
F00VC12570	F00ZC99143	F00ZC99757	5 pcs	1,350	1,355
F00VC12572	F00ZC99144	F00ZC99758	5 pcs	1,360	-

Nozzle needle stroke thrust member

F00ZC99759

Corresponding shim box label	F00ZC99172	F00ZC99759		Size in MM	
	Old/ Obsolete	Actual/ Replaced/ New			
	Part No	Part No	Qty	from	to
	Parts inside the kit	Parts inside the kit			
F00VC12400	F00ZC99145	F00ZC99760	5 pcs	8,277	8,283
F00VC12404	F00ZC99146	F00ZC99761	5 pcs	8,289	8,295
F00VC12408	F00ZC99147	F00ZC99762	5 pcs	8,301	8,307
F00VC12412	F00ZC99148	F00ZC99763	5 pcs	8,313	8,319
F00VC12416	F00ZC99149	F00ZC99764	5 pcs	8,325	8,331
F00VC12420	F00ZC99150	F00ZC99765	5 pcs	8,337	8,343
F00VC12424	F00ZC99151	F00ZC99766	5 pcs	8,349	8,355
F00VC12428	F00ZC99152	F00ZC99767	5 pcs	8,361	8,367
F00VC12432	F00ZC99153	F00ZC99768	5 pcs	8,373	8,379
F00VC12436	F00ZC99154	F00ZC99769	5 pcs	8,385	8,391
F00VC12440	F00ZC99155	F00ZC99770	5 pcs	8,397	8,403
F00VC12444	F00ZC99156	F00ZC99771	5 pcs	8,409	8,415
F00VC12448	F00ZC99157	F00ZC99772	5 pcs	8,421	8,427
F00VC12452	F00ZC99158	F00ZC99773	5 pcs	8,433	8,439
F00VC12456	F00ZC99159	F00ZC99774	5 pcs	8,445	8,451
F00VC12460	F00ZC99160	F00ZC99775	5 pcs	8,457	8,463
F00VC12464	F00ZC99161	F00ZC99776	5 pcs	8,469	8,475
F00VC12468	F00ZC99162	F00ZC99777	5 pcs	8,481	8,487
F00VC12472	F00ZC99163	F00ZC99778	5 pcs	8,493	8,499
F00VC12476	F00ZC99164	F00ZC99779	5 pcs	8,505	8,511
F00VC12480	F00ZC99165	F00ZC99780	5 pcs	8,517	8,523
F00VC12484	F00ZC99166	F00ZC99781	5 pcs	8,529	8,535
F00VC12488	F00ZC99167	F00ZC99782	5 pcs	8,541	8,547
F00VC12492	F00ZC99168	F00ZC99783	5 pcs	8,553	8,559
F00VC12496	F00ZC99169	F00ZC99784	5 pcs	8,565	8,571

Residual air gap CRI2.1

F00ZC99785

Corresponding shim box label	F00ZC99173	F00ZC99785		Size in MM	
	Old/ Obsolete	Actual/ Replaced/ New			
	Part No	Part No	Qty	from	to
	Parts inside the kit	Parts inside the kit			
F00VC60386	F00ZC99179	F00ZC99786	5 pcs	1,089	1,095
F00VC60389	F00ZC99180	F00ZC99787	5 pcs	1,098	1,104
F00VC60392	F00ZC99181	F00ZC99788	5 pcs	1,107	1,113
F00VC60395	F00ZC99182	F00ZC99789	5 pcs	1,116	1,122
F00VC60398	F00ZC99183	F00ZC99790	5 pcs	1,125	1,131
F00VC60401	F00ZC99184	F00ZC99791	5 pcs	1,134	1,140
F00VC60404	F00ZC99185	F00ZC99792	5 pcs	1,143	1,149
F00VC60407	F00ZC99186	F00ZC99793	5 pcs	1,152	1,158
F00VC60410	F00ZC99187	F00ZC99794	5 pcs	1,161	1,167
F00VC60413	F00ZC99188	F00ZC99795	5 pcs	1,170	1,176
F00VC60416	F00ZC99189	F00ZC99796	5 pcs	1,179	1,185
F00VC60419	F00ZC99190	F00ZC99797	5 pcs	1,188	1,194
F00VC60422	F00ZC99191	F00ZC99798	5 pcs	1,197	1,203
F00VC60425	F00ZC99192	F00ZC99799	5 pcs	1,206	1,212
F00VC60428	F00ZC99193	F00ZC99800	5 pcs	1,215	1,221
F00VC60431	F00ZC99194	F00ZC99801	5 pcs	1,224	1,230
F00VC60434	F00ZC99195	F00ZC99802	5 pcs	1,233	1,239
F00VC60437	F00ZC99196	F00ZC99803	5 pcs	1,242	1,248
F00VC60440	F00ZC99197	F00ZC99804	5 pcs	1,251	1,257
F00VC60443	F00ZC99198	F00ZC99805	5 pcs	1,260	1,266
F00VC60446	F00ZC99199	F00ZC99806	5 pcs	1,269	1,275
F00VC60449	F00ZC99200	F00ZC99807	5 pcs	1,278	1,284
F00VC60452	F00ZC99201	F00ZC99808	5 pcs	1,287	1,293
F00VC60455	F00ZC99202	F00ZC99809	5 pcs	1,296	1,302
F00VC60458	F00ZC99203	F00ZC99810	5 pcs	1,305	1,311
F00VC60461	F00ZC99204	F00ZC99811	5 pcs	1,314	1,320
F00VC60464	F00ZC99205	F00ZC99812	5 pcs	1,323	1,329
F00VC60467	F00ZC99206	F00ZC99813	5 pcs	1,332	1,338
F00VC60470	F00ZC99207	F00ZC99814	5 pcs	1,341	1,347
F00VC60473	F00ZC99208	F00ZC99815	5 pcs	1,350	1,356
F00VC60476	F00ZC99209	F00ZC99816	5 pcs	1,359	1,365
F00VC60479	F00ZC99210	F00ZC99817	5 pcs	1,368	1,371

Valve Sping Force CR12.2

F00ZC99983

Corresponding shim box label	F00ZC99174	F00ZC99983		Size in MM	
	Old/ Obsolete	Actual/ Replaced/ New			
	Part No	Part No	Qty	from	to
	Parts inside the kit	Parts inside the kit			
F00VC60550	F00ZC99211	F00ZC99984	5 pcs	1,000	1,010
F00VC60552	F00ZC99212	F00ZC99985	5 pcs	1,020	1,030
F00VC60554	F00ZC99213	F00ZC99986	5 pcs	1,040	1,050
F00VC60556	F00ZC99214	F00ZC99987	5 pcs	1,060	1,070
F00VC60558	F00ZC99215	F00ZC99988	5 pcs	1,080	1,090
F00VC60560	F00ZC99216	F00ZC99989	5 pcs	1,100	1,110
F00VC60562	F00ZC99217	F00ZC99990	5 pcs	1,120	1,130
F00VC60564	F00ZC99218	F00ZC99991	5 pcs	1,140	1,150
F00VC60566	F00ZC99219	F00ZC99992	5 pcs	1,160	1,170
F00VC60568	F00ZC99220	F00ZC99993	5 pcs	1,180	1,190
F00VC60570	F00ZC99221	F00ZC99994	5 pcs	1,200	1,210
F00VC60572	F00ZC99222	F00ZC99995	5 pcs	1,220	1,230
F00VC60574	F00ZC99223	F00ZC99996	5 pcs	1,240	1,250
F00VC60576	F00ZC99224	F00ZC99997	5 pcs	1,260	1,270
F00VC60578	F00ZC99225	F00ZC99998	5 pcs	1,280	1,290
F00VC60580	F00ZC99226	F00ZC99999	5 pcs	1,300	1,310
F00VC60582	F00ZC99227	F00ZC98001	5 pcs	1,320	1,330
F00VC60584	F00ZC99228	F00ZC98002	5 pcs	1,340	1,350
F00VC60586	F00ZC99229	F00ZC98003	5 pcs	1,360	1,370
F00VC60588	F00ZC99230	F00ZC98004	5 pcs	1,380	1,390
F00VC60590	F00ZC99231	F00ZC98005	5 pcs	1,400	1,410
F00VC60592	F00ZC99232	F00ZC98006	5 pcs	1,420	1,430
F00VC60594	F00ZC99233	F00ZC98007	5 pcs	1,440	1,450
F00VC60596	F00ZC99234	F00ZC98008	5 pcs	1,460	1,470
F00VC60598	F00ZC99235	F00ZC98009	5 pcs	1,480	1,490
F00VC60600	F00ZC99236	F00ZC98010	5 pcs	1,500	1,510
F00VC60602	F00ZC99237	F00ZC98011	5 pcs	1,520	1,530
F00VC60604	F00ZC99238	F00ZC98012	5 pcs	1,540	1,550
F00VC60606	F00ZC99239	F00ZC98013	5 pcs	1,560	1,570
F00VC60608	F00ZC99240	F00ZC98014	5 pcs	1,580	1,590
F00VC60610	F00ZC99241	F00ZC98015	5 pcs	1,600	1,610
F00VC60612	F00ZC99242	F00ZC98016	5 pcs	1,620	1,630
F00VC60614	F00ZC99243	F00ZC98017	5 pcs	1,640	1,650
F00VC60616	F00ZC99244	F00ZC98018	5 pcs	1,660	1,670
F00VC60618	F00ZC99245	F00ZC98019	5 pcs	1,680	1,690
F00VC60620	F00ZC99246	F00ZC98020	5 pcs	1,700	1,710
F00VC60622	F00ZC99247	F00ZC98021	5 pcs	1,720	1,730
F00VC60624	F00ZC99248	F00ZC98022	5 pcs	1,740	1,750

Valve Spring Force CRI2.2 **contd.**

F00ZC99983

F00VC60626	F00ZC99249	F00ZC98023	5 pcs	1,760	1,770
F00VC60628	F00ZC99250	F00ZC98024	5 pcs	1,780	1,790
F00VC60630	F00ZC99251	F00ZC98025	5 pcs	1,800	1,810
F00VC60632	F00ZC99252	F00ZC98026	5 pcs	1,820	1,830
F00VC60634	F00ZC99253	F00ZC98027	5 pcs	1,840	1,850
F00VC60636	F00ZC99254	F00ZC98028	5 pcs	1,860	1,870
F00VC60638	F00ZC99255	F00ZC98029	5 pcs	1,880	1,890
F00VC60640	F00ZC99256	F00ZC98030	5 pcs	1,900	1,910
F00VC60642	F00ZC99257	F00ZC98031	5 pcs	1,920	1,930
F00VC60644	F00ZC99258	F00ZC98032	5 pcs	1,940	1,950
F00VC60646	F00ZC99259	F00ZC98033	5 pcs	1,960	1,970
F00VC60648	F00ZC99260	F00ZC98034	5 pcs	1,980	1,990
F00VC60650	F00ZC99261	F00ZC98035	5 pcs	2,000	-

Excess Lift CRI2.0, 2.2

F00ZC99818

Corresponding shim box label	F00ZC99175	F00ZC99818		Size in MM	
	Old/ Obsolete	Actual/ Replaced/ New			
	Part No	Part No	Qty	from	to
	Parts inside the kit	Parts inside the kit			
F00VC18300	F00ZC99262	F00ZC99819	5 pcs	1,155	1,160
F00VC18302	F00ZC99263	F00ZC99820	5 pcs	1,165	1,170
F00VC18304	F00ZC99264	F00ZC99821	5 pcs	1,175	1,180
F00VC18306	F00ZC99265	F00ZC99822	5 pcs	1,185	1,190
F00VC18308	F00ZC99266	F00ZC99823	5 pcs	1,195	1,200
F00VC18310	F00ZC99267	F00ZC99824	5 pcs	1,205	1,210
F00VC18312	F00ZC99268	F00ZC99825	5 pcs	1,215	1,220
F00VC18314	F00ZC99269	F00ZC99826	5 pcs	1,225	1,230
F00VC18316	F00ZC99270	F00ZC99827	5 pcs	1,235	1,240
F00VC18318	F00ZC99271	F00ZC99828	5 pcs	1,245	1,250
F00VC18320	F00ZC99272	F00ZC99829	5 pcs	1,255	1,260
F00VC18322	F00ZC99273	F00ZC99830	5 pcs	1,265	-

Valve Spring Force CRI2.1

F00ZC99831

Corresponding shim box label	F00ZC99176	F00ZC99831		Size in MM	
	Old/ Obsolete	Actual/ Replaced/ New			
	Part No	Part No	Qty	from	to
	Parts inside the kit	Parts inside the kit			
F00VC60485	F00ZC99274	F00ZC99832	5 pcs	1,400	1,410
F00VC60487	F00ZC99275	F00ZC99833	5 pcs	1,420	1,430
F00VC60489	F00ZC99276	F00ZC99834	5 pcs	1,440	1,450
F00VC60491	F00ZC99277	F00ZC99835	5 pcs	1,460	1,470
F00VC60493	F00ZC99278	F00ZC99836	5 pcs	1,480	1,490
F00VC60495	F00ZC99279	F00ZC99837	5 pcs	1,500	1,510
F00VC60497	F00ZC99280	F00ZC99838	5 pcs	1,520	1,530
F00VC60499	F00ZC99281	F00ZC99839	5 pcs	1,540	1,550
F00VC60501	F00ZC99282	F00ZC99840	5 pcs	1,560	1,570
F00VC60503	F00ZC99283	F00ZC99841	5 pcs	1,580	1,590
F00VC60505	F00ZC99284	F00ZC99842	5 pcs	1,600	1,610
F00VC60507	F00ZC99285	F00ZC99843	5 pcs	1,620	1,630
F00VC60509	F00ZC99286	F00ZC99844	5 pcs	1,640	1,650
F00VC60511	F00ZC99287	F00ZC99845	5 pcs	1,660	1,670
F00VC60513	F00ZC99288	F00ZC99846	5 pcs	1,680	1,690
F00VC60515	F00ZC99289	F00ZC99847	5 pcs	1,700	1,710
F00VC60517	F00ZC99290	F00ZC99848	5 pcs	1,720	1,730
F00VC60519	F00ZC99291	F00ZC99849	5 pcs	1,740	1,750
F00VC60521	F00ZC99292	F00ZC99850	5 pcs	1,760	1,770
F00VC60523	F00ZC99293	F00ZC99851	5 pcs	1,780	1,790
F00VC60525	F00ZC99294	F00ZC99852	5 pcs	1,800	1,810
F00VC60527	F00ZC99295	F00ZC99853	5 pcs	1,820	1,830
F00VC60529	F00ZC99296	F00ZC99854	5 pcs	1,840	1,850
F00VC60531	F00ZC99297	F00ZC99855	5 pcs	1,860	1,870
F00VC60533	F00ZC99298	F00ZC99856	5 pcs	1,880	1,890
F00VC60535	F00ZC99299	F00ZC99857	5 pcs	1,900	-

Residual airgap CRI2.1; Armature stroke CRI2.1

F00ZC99858

Corresponding shim box label	F00ZC99177	F00ZC99858		Size in MM	
	Old/ Obsolete	Actual/ Replaced/ New			
	Part No	Part No	Qty	from	to
	Parts inside the kit	Parts inside the kit			
F00VC60175	F00ZC99300	F00ZC99859	5 pcs	0,860	0,862
F00VC60177	F00ZC99301	F00ZC99860	5 pcs	0,864	0,866
F00VC60179	F00ZC99302	F00ZC99861	5 pcs	0,868	0,870
F00VC60181	F00ZC99303	F00ZC99862	5 pcs	0,872	0,874
F00VC60183	F00ZC99304	F00ZC99863	5 pcs	0,876	0,878
F00VC60185	F00ZC99305	F00ZC99864	5 pcs	0,880	0,882
F00VC60187	F00ZC99306	F00ZC99865	5 pcs	0,884	0,886
F00VC60189	F00ZC99307	F00ZC99866	5 pcs	0,888	0,890
F00VC60191	F00ZC99308	F00ZC99867	5 pcs	0,892	0,894
F00VC60193	F00ZC99309	F00ZC99868	5 pcs	0,896	0,898
F00VC60195	F00ZC99310	F00ZC99869	5 pcs	0,900	0,902
F00VC60197	F00ZC99311	F00ZC99870	5 pcs	0,904	0,906
F00VC60199	F00ZC99312	F00ZC99871	5 pcs	0,908	0,910
F00VC60201	F00ZC99313	F00ZC99872	5 pcs	0,912	0,914
F00VC60203	F00ZC99314	F00ZC99873	5 pcs	0,916	0,918
F00VC60205	F00ZC99315	F00ZC99874	5 pcs	0,920	0,922
F00VC60207	F00ZC99316	F00ZC99875	5 pcs	0,924	0,926
F00VC60209	F00ZC99317	F00ZC99876	5 pcs	0,928	0,930
F00VC60211	F00ZC99318	F00ZC99877	5 pcs	0,932	0,934
F00VC60213	F00ZC99319	F00ZC99878	5 pcs	0,936	0,938
F00VC60215	F00ZC99320	F00ZC99879	5 pcs	0,940	0,942
F00VC60217	F00ZC99321	F00ZC99880	5 pcs	0,944	0,946
F00VC60219	F00ZC99322	F00ZC99881	5 pcs	0,948	0,950
F00VC60221	F00ZC99323	F00ZC99882	5 pcs	0,952	0,954
F00VC60223	F00ZC99324	F00ZC99883	5 pcs	0,956	0,958
F00VC60225	F00ZC99325	F00ZC99884	5 pcs	0,960	0,962
F00VC60227	F00ZC99326	F00ZC99885	5 pcs	0,964	0,966
F00VC60229	F00ZC99327	F00ZC99886	5 pcs	0,968	0,970
F00VC60231	F00ZC99328	F00ZC99887	5 pcs	0,972	0,974
F00VC60233	F00ZC99329	F00ZC99888	5 pcs	0,976	0,978
F00VC60235	F00ZC99330	F00ZC99889	5 pcs	0,980	0,982
F00VC60237	F00ZC99331	F00ZC99890	5 pcs	0,984	0,986
F00VC60239	F00ZC99332	F00ZC99891	5 pcs	0,988	0,990
F00VC60241	F00ZC99333	F00ZC99892	5 pcs	0,992	0,994
F00VC60243	F00ZC99334	F00ZC99893	5 pcs	0,996	0,998
F00VC60245	F00ZC99335	F00ZC99894	5 pcs	1,000	1,002
F00VC60247	F00ZC99336	F00ZC99895	5 pcs	1,004	1,006

Residual airgap CRI2.1; Armature stroke CRI2.1 contd.

F00ZC99858

F00VC60249	F00ZC99337	F00ZC99896	5 pcs	1,008	1,010
F00VC60251	F00ZC99338	F00ZC99897	5 pcs	1,012	1,014
F00VC60253	F00ZC99339	F00ZC99898	5 pcs	1,016	1,018
F00VC60255	F00ZC99340	F00ZC99899	5 pcs	1,020	1,022
F00VC60257	F00ZC99341	F00ZC99900	5 pcs	1,024	1,026
F00VC60259	F00ZC99342	F00ZC99901	5 pcs	1,028	1,030
F00VC60261	F00ZC99343	F00ZC99902	5 pcs	1,032	1,034
F00VC60263	F00ZC99344	F00ZC99903	5 pcs	1,036	1,038
F00VC60265	F00ZC99345	F00ZC99904	5 pcs	1,040	1,042
F00VC60267	F00ZC99346	F00ZC99905	5 pcs	1,044	1,046
F00VC60269	F00ZC99347	F00ZC99906	5 pcs	1,048	1,050
F00VC60271	F00ZC99348	F00ZC99907	5 pcs	1,052	1,054
F00VC60273	F00ZC99349	F00ZC99908	5 pcs	1,056	1,058

Armature stroke CRI1, 2.0, 2.2

F00ZC99955

Corresponding shim box label	F00ZC99178	F00ZC99955		Size in MM	
	Old/ Obsolete	Actual/ Replaced/ New			
	Part No	Part No	Qty	from	to
	Parts inside the kit	Parts inside the kit			
F00VC10400	F00ZC99396	F00ZC99956	5 pcs	1,190	1,192
F00VC10402	F00ZC99397	F00ZC99957	5 pcs	1,194	1,196
F00VC10404	F00ZC99398	F00ZC99958	5 pcs	1,198	1,200
F00VC10406	F00ZC99399	F00ZC99959	5 pcs	1,202	1,204
F00VC10408	F00ZC99400	F00ZC99960	5 pcs	1,206	1,208
F00VC10410	F00ZC99401	F00ZC99961	5 pcs	1,210	1,212
F00VC10412	F00ZC99402	F00ZC99962	5 pcs	1,214	1,216
F00VC10414	F00ZC99403	F00ZC99963	5 pcs	1,218	1,220
F00VC10416	F00ZC99404	F00ZC99964	5 pcs	1,222	1,224
F00VC10418	F00ZC99405	F00ZC99965	5 pcs	1,226	1,228
F00VC10420	F00ZC99406	F00ZC99966	5 pcs	1,230	1,232
F00VC10422	F00ZC99407	F00ZC99967	5 pcs	1,234	1,236
F00VC10424	F00ZC99408	F00ZC99968	5 pcs	1,238	1,240
F00VC10426	F00ZC99409	F00ZC99969	5 pcs	1,242	1,244
F00VC10428	F00ZC99410	F00ZC99970	5 pcs	1,246	1,248
F00VC10430	F00ZC99411	F00ZC99971	5 pcs	1,250	1,252
F00VC10432	F00ZC99412	F00ZC99972	5 pcs	1,254	1,256
F00VC10434	F00ZC99413	F00ZC99973	5 pcs	1,258	1,260
F00VC10436	F00ZC99414	F00ZC99974	5 pcs	1,262	1,264
F00VC10438	F00ZC99415	F00ZC99975	5 pcs	1,266	1,268
F00VC10440	F00ZC99416	F00ZC99976	5 pcs	1,270	1,272
F00VC10442	F00ZC99417	F00ZC99977	5 pcs	1,274	1,276
F00VC10444	F00ZC99418	F00ZC99978	5 pcs	1,278	1,280
F00VC10446	F00ZC99419	F00ZC99979	5 pcs	1,282	1,284
F00VC10448	F00ZC99420	F00ZC99980	5 pcs	1,286	1,288
F00VC10450	F00ZC99421	F00ZC99981	5 pcs	1,290	1,292
F00VC10452	F00ZC99422	F00ZC99982	5 pcs	1,294	-

Excess lift CRI2+3

F00RJ04735

Corresponding shim box label	F00RJ02759	F00RJ04735		Size in MM
	Old/ Obsolete	Actual/ Replaced/ New		
	Part No	Part No	Qty	
	Parts inside the kit	Parts inside the kit	from	to
F00RJ01008	F00RJ04225	F00RJ04714	5 pcs	0,985
F00RJ01009	F00RJ04226	F00RJ04715	5 pcs	0,995
F00RJ01010	F00RJ04227	F00RJ04716	5 pcs	1,005
F00RJ01011	F00RJ04228	F00RJ04717	5 pcs	1,015
F00RJ01012	F00RJ04229	F00RJ04718	5 pcs	1,025
F00RJ01013	F00RJ04230	F00RJ04719	5 pcs	1,035
F00RJ01014	F00RJ04231	F00RJ04720	5 pcs	1,045
F00RJ01015	F00RJ04232	F00RJ04721	5 pcs	1,055
F00RJ01016	F00RJ04233	F00RJ04722	5 pcs	1,065
F00RJ01017	F00RJ04234	F00RJ04723	5 pcs	1,075
F00RJ01018	F00RJ04235	F00RJ04724	5 pcs	1,085
F00RJ01019	F00RJ04236	F00RJ04725	5 pcs	1,095
F00RJ01020	F00RJ04237	F00RJ04726	5 pcs	1,105
F00RJ01021	F00RJ04238	F00RJ04727	5 pcs	1,115
F00RJ01022	F00RJ04239	F00RJ04728	5 pcs	1,125
F00RJ01023	F00RJ04240	F00RJ04729	5 pcs	1,135
F00RJ01024	F00RJ04241	F00RJ04730	5 pcs	1,145

Solenoid spring initial load CRIN all

F00RJ04733

Corresponding shim box label	F00RJ02757	F00RJ04733		Size in MM	
	Old/ Obsolete	Actual/ Replaced/ New			
	Part No	Part No	Qty	from	to
	Parts inside the kit	Parts inside the kit			
F00R J00 772	F00RJ04158	F00RJ04647	5 pcs	0,940	0,950
F00R J00 775	F00RJ04159	F00RJ04648	5 pcs	0,970	0,980
F00R J00 778	F00RJ04160	F00RJ04649	5 pcs	1,000	1,010
F00R J00 781	F00RJ04161	F00RJ04650	5 pcs	1,030	1,040
F00R J00 784	F00RJ04162	F00RJ04651	5 pcs	1,060	1,070
F00R J00 787	F00RJ04163	F00RJ04652	5 pcs	1,090	1,100
F00R J00 790	F00RJ04164	F00RJ04653	5 pcs	1,120	1,130
F00R J00 793	F00RJ04165	F00RJ04654	5 pcs	1,150	1,160
F00R J00 796	F00RJ04166	F00RJ04655	5 pcs	1,180	1,190
F00R J00 799	F00RJ04167	F00RJ04656	5 pcs	1,210	1,220
F00R J00 802	F00RJ04168	F00RJ04657	5 pcs	1,240	1,250
F00R J00 805	F00RJ04169	F00RJ04658	5 pcs	1,270	1,280
F00R J00 808	F00RJ04170	F00RJ04659	5 pcs	1,300	1,310
F00R J00 811	F00RJ04171	F00RJ04660	5 pcs	1,330	1,340
F00R J00 814	F00RJ04172	F00RJ04661	5 pcs	1,360	1,370
F00R J00 817	F00RJ04173	F00RJ04662	5 pcs	1,390	1,400
F00R J00 820	F00RJ04174	F00RJ04663	5 pcs	1,420	1,430
F00R J00 823	F00RJ04175	F00RJ04664	5 pcs	1,450	1,460
F00R J01 834	F00RJ04176	F00RJ04665	5 pcs	1,470	1,480
F00R J01 837	F00RJ04177	F00RJ04666	5 pcs	1,500	1,510
F00R J01 840	F00RJ04178	F00RJ04667	5 pcs	1,530	1,540
F00R J01 843	F00RJ04179	F00RJ04668	5 pcs	1,560	1,570
F00R J01 846	F00RJ04180	F00RJ04669	5 pcs	1,590	1,600

Armature stroke CRIN2+3

F00RJ04734

Corresponding shim box label	F00RJ02758	F00RJ04734		Size in MM	
	Old/ Obsolete	Actual/ Replaced/ New			
	Part No	Part No	Qty	from	to
	Parts inside the kit	Parts inside the kit			
F00RJ00869	F00RJ04181	F00RJ04670	5 pcs	1,512	1,514
F00RJ00871	F00RJ04182	F00RJ04671	5 pcs	1,516	1,518
F00RJ00873	F00RJ04183	F00RJ04672	5 pcs	1,520	1,522
F00RJ00875	F00RJ04184	F00RJ04673	5 pcs	1,524	1,526
F00RJ00877	F00RJ04185	F00RJ04674	5 pcs	1,528	1,530
F00RJ00879	F00RJ04186	F00RJ04675	5 pcs	1,532	1,534
F00RJ00881	F00RJ04187	F00RJ04676	5 pcs	1,536	1,538
F00RJ00883	F00RJ04188	F00RJ04677	5 pcs	1,540	1,542
F00RJ00885	F00RJ04189	F00RJ04678	5 pcs	1,544	1,546
F00RJ00887	F00RJ04190	F00RJ04679	5 pcs	1,548	1,550
F00RJ00889	F00RJ04191	F00RJ04680	5 pcs	1,552	1,554
F00RJ00891	F00RJ04192	F00RJ04681	5 pcs	1,556	1,558
F00RJ00893	F00RJ04193	F00RJ04682	5 pcs	1,560	1,562
F00RJ00895	F00RJ04194	F00RJ04683	5 pcs	1,564	1,566
F00RJ00897	F00RJ04195	F00RJ04684	5 pcs	1,568	1,570
F00RJ00899	F00RJ04196	F00RJ04685	5 pcs	1,572	1,574
F00RJ00901	F00RJ04197	F00RJ04686	5 pcs	1,576	1,578
F00RJ00903	F00RJ04198	F00RJ04687	5 pcs	1,580	1,582
F00RJ00905	F00RJ04199	F00RJ04688	5 pcs	1,584	1,586
F00RJ00907	F00RJ04200	F00RJ04689	5 pcs	1,588	1,590
F00RJ00909	F00RJ04201	F00RJ04690	5 pcs	1,592	1,594
F00RJ00911	F00RJ04202	F00RJ04691	5 pcs	1,596	1,598
F00RJ00913	F00RJ04203	F00RJ04692	5 pcs	1,600	1,602
F00RJ00915	F00RJ04204	F00RJ04693	5 pcs	1,604	1,606
F00RJ00917	F00RJ04205	F00RJ04694	5 pcs	1,608	1,610
F00RJ00919	F00RJ04206	F00RJ04695	5 pcs	1,612	1,614
F00RJ00921	F00RJ04207	F00RJ04696	5 pcs	1,616	1,618
F00RJ00923	F00RJ04208	F00RJ04697	5 pcs	1,620	1,622
F00RJ00925	F00RJ04209	F00RJ04698	5 pcs	1,624	1,626
F00RJ00927	F00RJ04210	F00RJ04699	5 pcs	1,628	1,630
F00RJ00929	F00RJ04211	F00RJ04700	5 pcs	1,632	1,634
F00RJ00931	F00RJ04212	F00RJ04701	5 pcs	1,636	1,638
F00RJ00933	F00RJ04213	F00RJ04702	5 pcs	1,640	1,642
F00RJ00935	F00RJ04214	F00RJ04703	5 pcs	1,644	1,646
F00RJ00937	F00RJ04215	F00RJ04704	5 pcs	1,648	1,650
F00RJ00939	F00RJ04216	F00RJ04705	5 pcs	1,652	1,654

Armature stroke CRIN2+3 contd.

F00RJ04734

F00RJ00941	F00RJ04217	F00RJ04706	5 pcs	1,656	1,658
F00RJ00943	F00RJ04218	F00RJ04707	5 pcs	1,660	1,662
F00RJ00945	F00RJ04219	F00RJ04708	5 pcs	1,664	1,666
F00RJ00947	F00RJ04220	F00RJ04709	5 pcs	1,668	1,670
F00RJ00949	F00RJ04221	F00RJ04710	5 pcs	1,672	1,674
F00RJ00951	F00RJ04222	F00RJ04711	5 pcs	1,676	1,678
F00RJ00953	F00RJ04223	F00RJ04712	5 pcs	1,680	1,682
F00RJ00955	F00RJ04224	F00RJ04713	5 pcs	1,684	1,686

Armature stoke CRIN1

F00RJ04731

Corresponding shim box label	F00RJ02755	F00RJ04731		Size in MM	
	Old/ Obsolete	Actual/ Replaced/ New			
	Part No	Part No	Qty	from	to
	Parts inside the kit	Parts inside the kit			
F00RJ00024	F00RJ04091	F00RJ04602	5 pcs	0,950	0,952
F00RJ00026	F00RJ04092	F00RJ04603	5 pcs	0,954	0,956
F00RJ00028	F00RJ04093	F00RJ04604	5 pcs	0,958	0,960
F00RJ00030	F00RJ04094	F00RJ04605	5 pcs	0,962	0,964
F00RJ00032	F00RJ04095	F00RJ04606	5 pcs	0,966	0,968
F00RJ00034	F00RJ04096	F00RJ04607	5 pcs	0,970	0,972
F00RJ00036	F00RJ04097	F00RJ04608	5 pcs	0,974	0,976
F00RJ00038	F00RJ04098	F00RJ04609	5 pcs	0,978	0,980
F00RJ00040	F00RJ04099	F00RJ04610	5 pcs	0,982	0,984
F00RJ00042	F00RJ04100	F00RJ04611	5 pcs	0,986	0,988
F00RJ00044	F00RJ04101	F00RJ04612	5 pcs	0,990	0,992
F00RJ00046	F00RJ04102	F00RJ04613	5 pcs	0,994	0,996
F00RJ00048	F00RJ04103	F00RJ04614	5 pcs	0,998	1,000
F00RJ00050	F00RJ04104	F00RJ04615	5 pcs	1,002	1,004
F00RJ00052	F00RJ04105	F00RJ04616	5 pcs	1,006	1,008
F00RJ00054	F00RJ04106	F00RJ04617	5 pcs	1,010	1,012
F00RJ00056	F00RJ04107	F00RJ04618	5 pcs	1,014	1,016
F00RJ00058	F00RJ04108	F00RJ04619	5 pcs	1,018	1,020
F00RJ00060	F00RJ04109	F00RJ04620	5 pcs	1,022	1,024
F00RJ00062	F00RJ04110	F00RJ04621	5 pcs	1,026	1,028
F00RJ00064	F00RJ04111	F00RJ04622	5 pcs	1,030	1,032
F00RJ00066	F00RJ04112	F00RJ04623	5 pcs	1,034	1,036
F00RJ00068	F00RJ04113	F00RJ04624	5 pcs	1,038	1,040
F00RJ00070	F00RJ04114	F00RJ04625	5 pcs	1,042	1,044
F00RJ00072	F00RJ04115	F00RJ04626	5 pcs	1,046	1,048
F00RJ00074	F00RJ04116	F00RJ04627	5 pcs	1,050	1,052
F00RJ00076	F00RJ04117	F00RJ04628	5 pcs	1,054	1,056

Residual air gap CRIN1

F00RJ04732

Corresponding shim box label	F00RJ02756	F00RJ04732		Size in MM	
	Old/ Obsolete	Actual/ Replaced/ New			
	Part No	Part No	Qty	from	to
	Parts inside the kit	Parts inside the kit			
F00RJ00120	F00RJ04138	F00RJ04629	5 pcs	1,210	1,215
F00RJ00122	F00RJ04139	F00RJ04630	5 pcs	1,220	1,225
F00RJ00124	F00RJ04140	F00RJ04631	5 pcs	1,230	1,235
F00RJ00126	F00RJ04141	F00RJ04632	5 pcs	1,240	1,245
F00RJ00128	F00RJ04142	F00RJ04633	5 pcs	1,250	1,255
F00RJ00130	F00RJ04143	F00RJ04634	5 pcs	1,260	1,265
F00RJ00132	F00RJ04144	F00RJ04635	5 pcs	1,270	1,275
F00RJ00134	F00RJ04145	F00RJ04636	5 pcs	1,280	1,285
F00RJ00136	F00RJ04146	F00RJ04637	5 pcs	1,290	1,295
F00RJ00138	F00RJ04147	F00RJ04638	5 pcs	1,300	1,305
F00RJ00140	F00RJ04148	F00RJ04639	5 pcs	1,310	1,315
F00RJ00142	F00RJ04149	F00RJ04640	5 pcs	1,320	1,325
F00RJ00144	F00RJ04150	F00RJ04641	5 pcs	1,330	1,335
F00RJ00146	F00RJ04151	F00RJ04642	5 pcs	1,340	1,345
F00RJ00148	F00RJ04152	F00RJ04643	5 pcs	1,350	1,355
F00RJ00150	F00RJ04153	F00RJ04644	5 pcs	1,360	1,365
F00RJ00152	F00RJ04154	F00RJ04645	5 pcs	1,370	1,375
F00RJ00154	F00RJ04155	F00RJ04646	5 pcs	1,380	-

Excess lift Japanese CRIN2+3

F00RJ03110

851	F00RJ03110	1 No	
Position	Part No inside Kit	Qty	Size
35	F00RJ03176	5 pcs	0,922
37	F00RJ03178	5 pcs	0,928
39	F00RJ03180	5 pcs	0,934
41	F00RJ03182	5 pcs	0,940
43	F00RJ03184	5 pcs	0,946
45	F00RJ03186	5 pcs	0,952
47	F00RJ03188	5 pcs	0,958
49	F00RJ03190	5 pcs	0,964
51	F00RJ03192	5 pcs	0,970
53	F00RJ03194	5 pcs	0,976
55	F00RJ03196	5 pcs	0,982
57	F00RJ03198	5 pcs	0,988
59	F00RJ03200	5 pcs	0,994
61	F00RJ03202	5 pcs	1,000
63	F00RJ03204	5 pcs	1,006
65	F00RJ03206	5 pcs	1,012
67	F00RJ03208	5 pcs	1,018
69	F00RJ03210	5 pcs	1,024
71	F00RJ03212	5 pcs	1,030
73	F00RJ03214	5 pcs	1,036
75	F00RJ03216	5 pcs	1,042
77	F00RJ03218	5 pcs	1,048

Label set

Label set are available for correction of SHIM Part numbers & labels for

- Adhesive lettering stickers
- Plasticized list of components
- Instruction manual

CRI Label set

➤ CRI Label set – 1 681 102 668

Used for the CRI tools set:

- 0 986 610 700
- 0 986 610 715
- 0 986 610 735
- 0 986 610 750

I

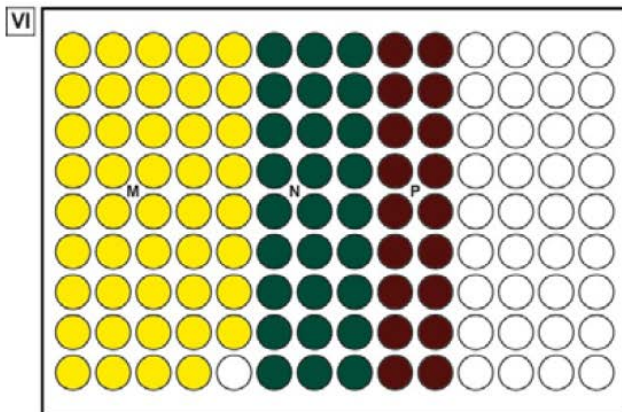
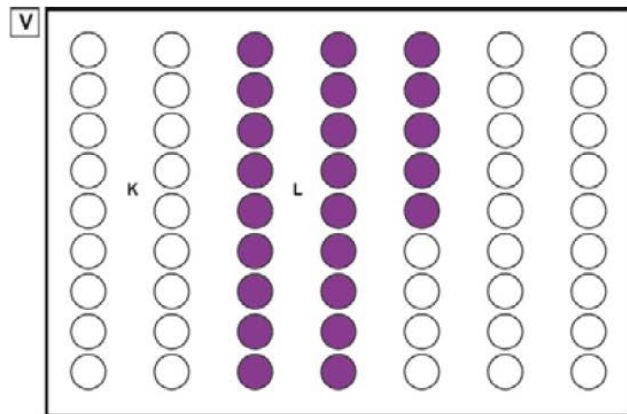
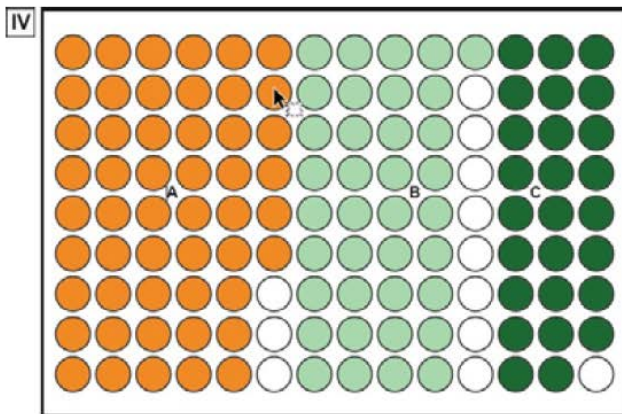
II

III

	CRI		Pos. ESI[tronic]-D
A	F 00Z C99 669 F00ZC99670 - F00ZC99720	VFK CRI1 DFK CRI	025 016
B	F 00Z C99 721 F00ZC99722 - F00ZC99758	DNH-Pille	018
C	F 00Z C99 759 F00ZC99760 - F00ZC99784	DNH-Drst CRI1	018
D	F 00Z C99 785 F00ZC99786 - F00ZC99817	RLS CRI2.1	047
E	F 00Z C99 983 F00ZC99984 - F00ZC99835	VFK CRI2.2	025
F	F 00Z C99 818 F00ZC99819 - F00ZC99830	UEH CRI2.0, 2.2	014
G	F 00Z C99 831 F00ZC99832 - F00ZC99857	VFK CRI2.1	025
H	F 00Z C99 858 F00ZC99859 - F00ZC99954	RLS CRI1, 2.0, 2.2 AH CRI2.1	023 023
J	F 00Z C99 955 F00ZC99956 - F00ZC99982	AH CRI1, 2.0, 2.2	008

CRIN Label set

- CRIN Label set – 1 681 102 669
- Used for the CRIN tools set:
 - 0 986 610 705
 - 0 986 610 710
 - 0 986 610 725
 - 0 986 610 760



CRIN		Pos. ESI[tronic]-D
A	F 00Z C99 689 F00ZC99670 - F00ZC99720	DFK CRIN 016
B	F 00Z C99 721 F00ZC99722 - F00ZC99758	DNH Pille CRIN 018
C	F 00Z C99 759 F00ZC99760 - F00ZC99784	DNH-Drst CRIN1 018
K	F 00R J04 735 F00RJ04714 - F00RJ04730	UEH CRIN2, 3 027
L	F 00R J04 733 F00RJ04647 - F00RJ04669	VFK CRIN 025
M	F 00R J04 734 F00RJ04670 - F00RJ04713	AH CRIN2, 3 008
N	F 00R J04 731 F00RJ04602 - F00RJ04628	AH CRIN1 008
P	F 00R J04 732 F00RJ04629 - F00RJ04646	RLS CRIN1 023

Driven by efficiency

Bosch technologies are used worldwide in almost all vehicles. People, and assuring their mobility, is what we are focused on.

Therefore, we have dedicated the last 125 years of pioneering spirit and expertise in research and manufacturing to achieving this.

We continue to work on our unique combination of solutions for spare parts, diagnostic devices, workshop equipment and services:

- ▶ Solutions for efficient vehicle repairs
- ▶ Innovative workshop equipment and software
- ▶ The world's most comprehensive range of new and replacement parts
- ▶ Large network of wholesale customers, for quick and reliable parts supply
- ▶ Competent hotline support
- ▶ Comprehensive educational and training offers
- ▶ Targeted sales and marketing support

Find out more at:

boschaftermarket.com

**What drives you
drives us**

Robert Bosch (PTY) Ltd
Automotive Aftermarket

96 15th Road,
Randjespark, Midrand
Africa

www.bosch.co.za



BOSCH
Invented for life

