



**BOSCH**

Invented for life

# Bosch MP Deep Cycle Power BG1275 – 12V Golf Cart Battery

## Applications

Golf Cart

Electric Utility Vehicle

Electric Recreational Vehicle (RV)

Floor Machine



## Specifications

Short Order Part Number

**BG1275**

Product Series

**MP Deep Cycle**

Bosch 10 Digit Part Number

**0092L57074**

Technology

**Low Antimony Grids - Low Maintenance**

EAN Barcode

**4047025219501**

Warranty Period

Refer [www.boschaftermarket.com.au](http://www.boschaftermarket.com.au)

Refer [www.boschaftermarket.co.nz](http://www.boschaftermarket.co.nz)

## Technical Information

Nominal Voltage

**12V**

Nominal Capacity (20HR)

**150 AH**

Reserve Capacity

**25A - 280 min, 56A - 102 min**

### Case Size Dimension

Length

**328 mm (12.91 inches)**

Width

**180 mm (7.00 inches)**

Container Height

**248 mm (9.76 inches)**

Total Height (with Terminal)

**279.5 mm (11.00 inches)**

Approx Weight (Gross)

**Dry 26.20 kg (57.64 lbs), Wet 35.70 kg (78.54 lbs)**

Terminal

**(+-)**

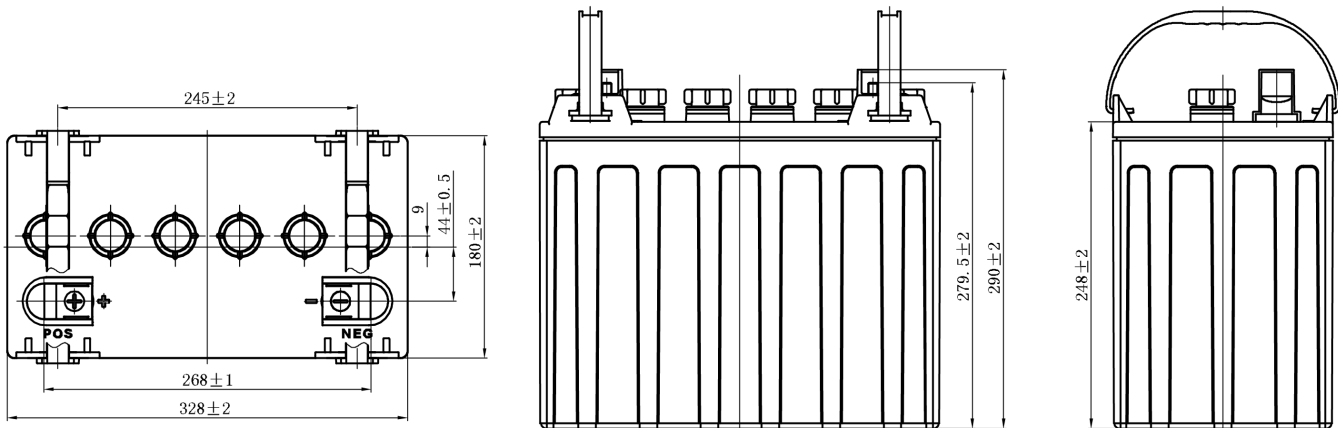
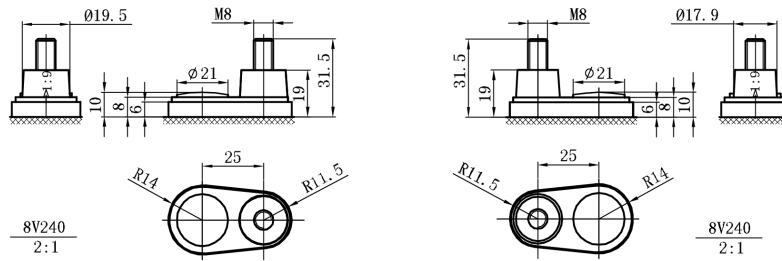
Container Material

**Polypropylene**

Lid Design

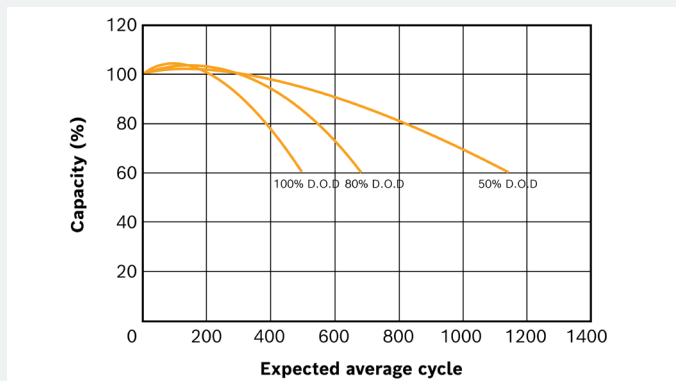
**Accessible**

# Product Dimension & Design

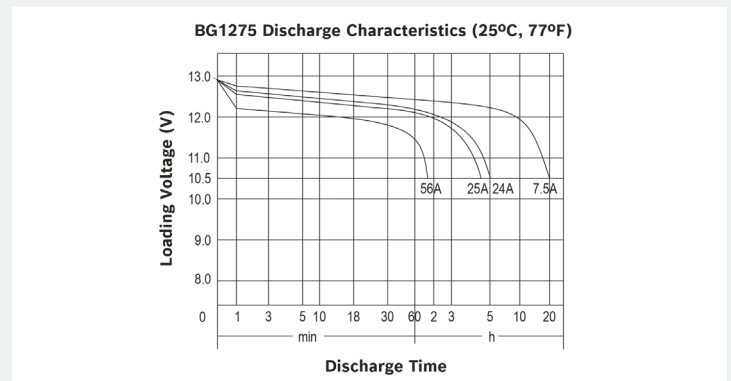


# Product Performance Charts

## Depth of Discharge Cycling Test



## Discharge Characteristics Test



Your address for genuine Bosch quality:

**Dealer stamp here:**