



BOSCH

Invented for life

Bosch SM Mega Power Plus

22FR-610 - Maintenance Free / Calcium, Calcium Technology

Applications

Passenger Vehicle
Light Commercial Vehicle



Image is generic & may vary to actual product

Bosch Master Data

Short Order Part Number

22FR-610

Product Series

SM Mega Power Plus

Bosch 10 Digit Part Number

0092S47067

Technology

Calcium, Calcium

EAN Barcode

4047025571296

Warranty Period

Refer www.boschaftermarket.com.au

Refer www.boschaftermarket.co.nz

Technical Information

Nominal Voltage

12V

Nominal Capacity (20HR)

55AH

Reserve Capacity

90 Mins

Cold Cranking Amperes (CCA)

610 Amps

Case Size Dimension

Length

240 mm (9.44 inches)

Width

172 mm (6.77 inches)

Container Height

180 mm (7.08 inches)

Total Height (with Terminal)

203 mm (8.00 inches)

Case Size

22F

Approx Weight (Gross)

14.70 kg (32.34 lbs)

Terminal

(+-)

Container Material

Polypropylene

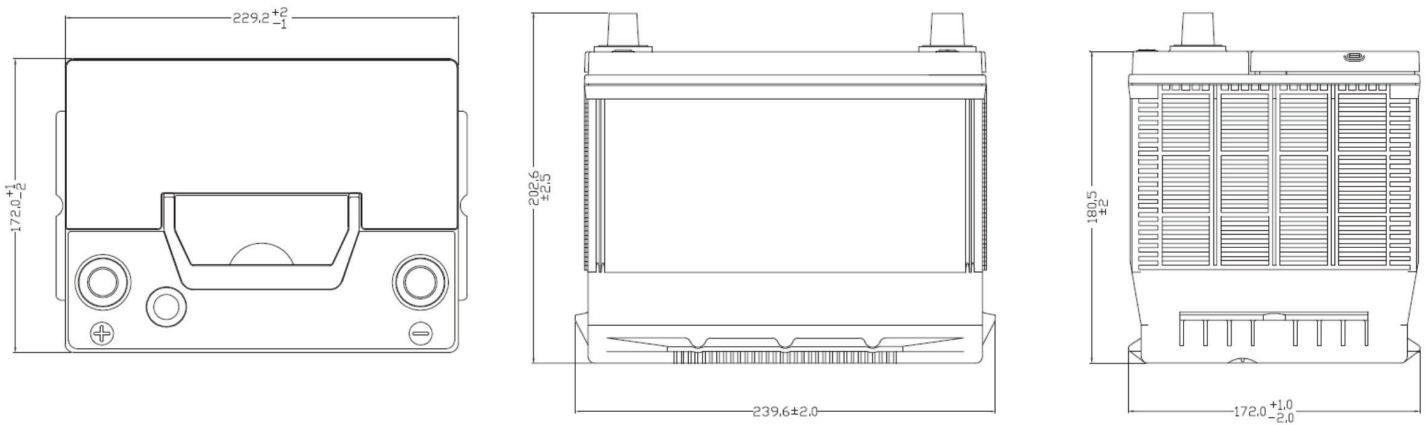
Lid Design

Labrynth Lid

Base Hold Down

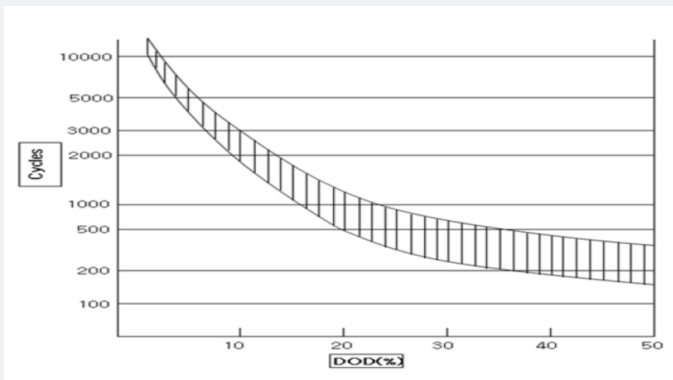
B9

Product Dimension & Design

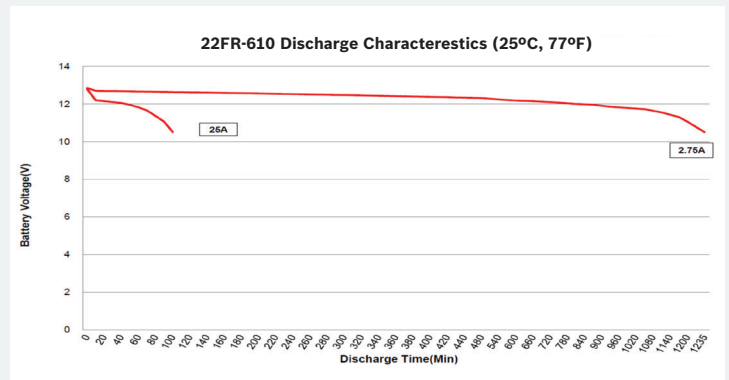


Product Performance Overview

Depth of Discharge Cycling Test



Discharge Characteristics Test



Your address for genuine Bosch quality:

Dealer stamp here: