



BOSCH

Invented for life

Bosch SM Mega Power Plus

50D20L - Maintenance Free / Calcium, Calcium Technology

Applications

Passenger Vehicle
Light Commercial Vehicle



Image is generic & may vary to actual product

Bosch Master Data

Short Order Part Number

50D20L

Product Series

SM Mega Power Plus

Bosch 10 Digit Part Number

0092S47085

Technology

Calcium, Calcium

EAN Barcode

4047025475761

Warranty Period

Refer www.boschaftermarket.com.au

Refer www.boschaftermarket.co.nz

Technical Information

Nominal Voltage

12V

Cold Cranking Amperes (CCA)

500 Amps

Nominal Capacity (20HR)

50AH

Reserve Capacity

80 Mins

Case Size Dimension

Length

206 mm (8.11 inches)

Total Height (with Terminal)

219 mm (8.62 inches)

Width

172 mm (6.77 inches)

Case Size

D20

Container Height

198 mm (7.79 inches)

Approx Weight (Gross)

13.90 kg (30.58 lbs)

Lid Design

Labrynth Lid

Terminal

(-+)

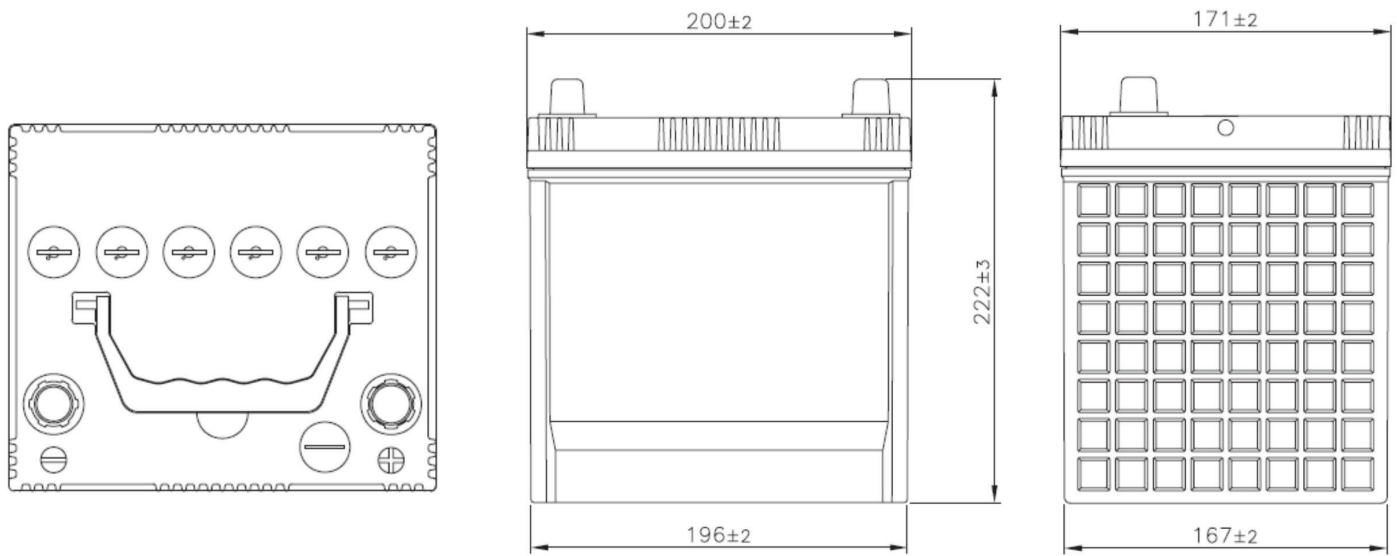
Base Hold Down

B7

Container Material

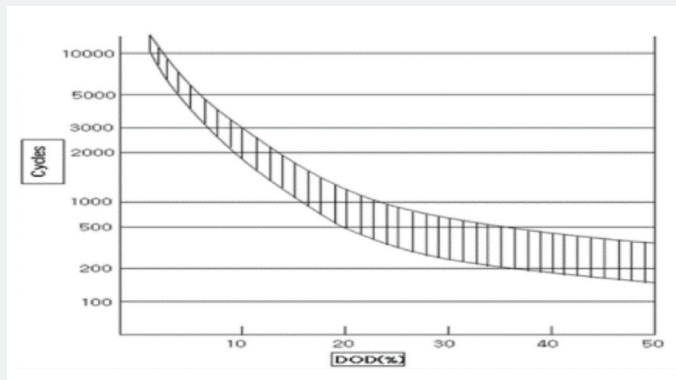
Polypropylene

Product Dimension & Design

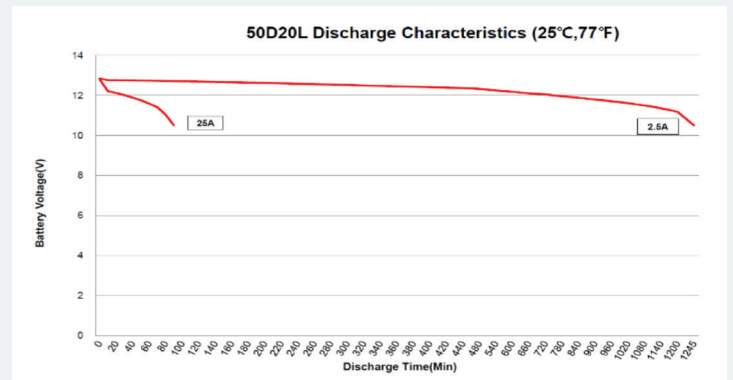


Product Performance Overview

Depth of Discharge Cycling Test



Discharge Characteristics Test



Your address for genuine Bosch quality:

Dealer stamp here: