



**BOSCH**

Invented for life

# Bosch SM Mega Power Plus

U1R-260 - Maintenance Free / Calcium, Calcium Technology

## Applications

Passenger Vehicle  
Light Commercial Vehicle

## Bosch Master Data

Short Order Part Number

**U1R-260**

Product Series

**SM Mega Power Plus**

Bosch 10 Digit Part Number

**0092S47078**

Technology

**Calcium, Calcium**

EAN Barcode

**4047025570800**

Warranty Period

Refer [www.boschaftermarket.com.au](http://www.boschaftermarket.com.au)

Refer [www.boschaftermarket.co.nz](http://www.boschaftermarket.co.nz)

## Technical Information

Nominal Voltage

**12V**

Cold Cranking Amperes (CCA)

**260 Amps**

Nominal Capacity (20HR)

**26AH**

Reserve Capacity

**33 Mins**

### Case Size Dimension

Length

**196 mm (7.71 inches)**

Total Height (with Terminal)

**184 mm (7.24 inches)**

Width

**128 mm (5.03 inches)**

Case Size

**U1**

Container Height

**162 mm (6.37 inches)**

Approx Weight (Gross)

**7.76 kg (17.00 lbs)**

Lid Design

**Labrynth Lid**

Terminal

**(-+)**

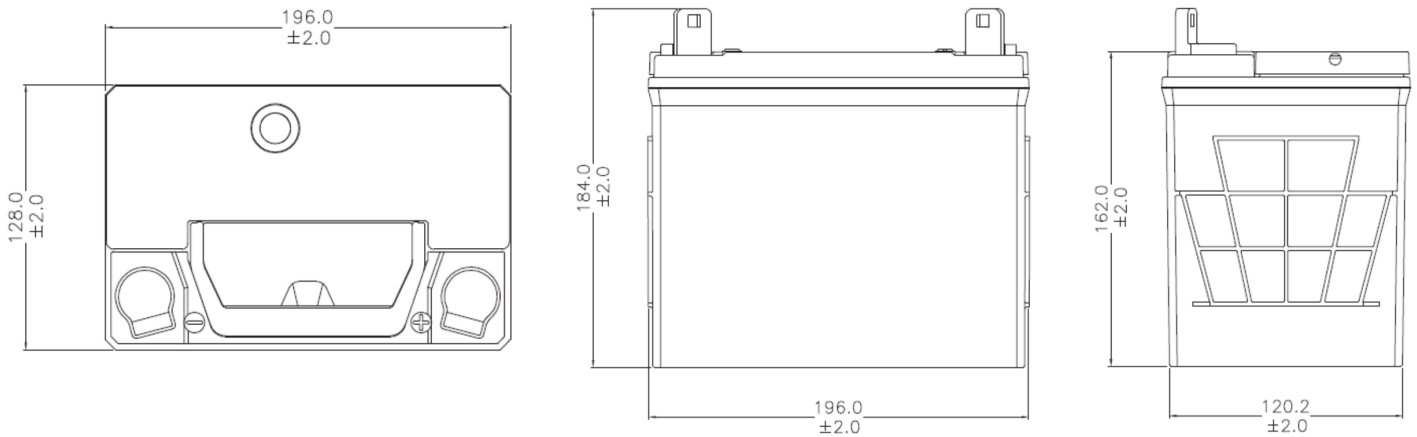
Base Hold Down

**B0**

Container Material

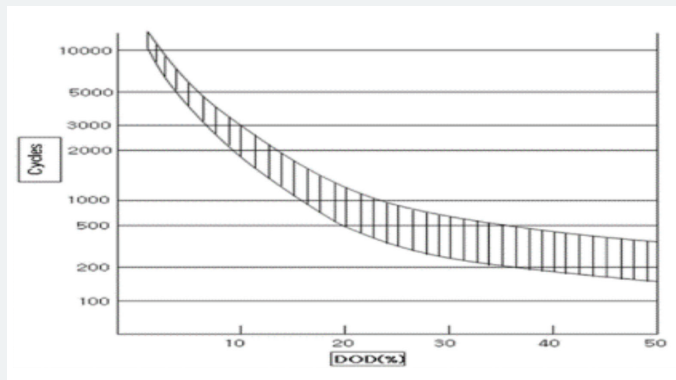
**Polypropylene**

# Product Dimension & Design

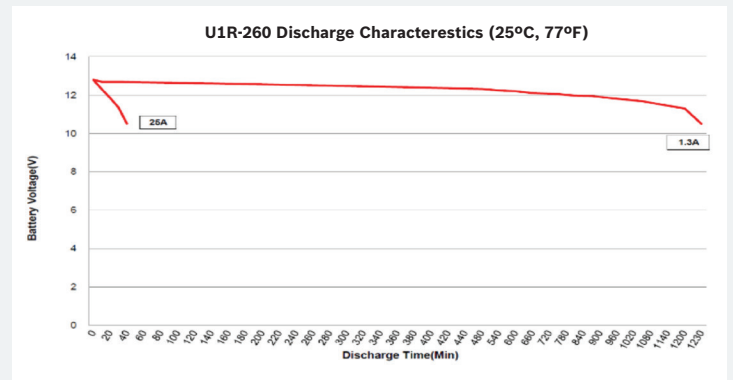


# Product Performance Overview

## Depth of Discharge Cycling Test



## Discharge Characteristics Test



Your address for genuine Bosch quality:

**Dealer stamp here:**