



BOSCH

Invented for life

Bosch SM Mega Power Silver

574.068 - Maintenance Free / Calcium, Silver Technology

Applications

Passenger Vehicle
Light Commercial Vehicle



Image is generic & may vary to actual product

Bosch Master Data

Short Order Part Number

574.068

Product Series

SM Mega Power Silver

Bosch 10 Digit Part Number

0092S57047

Technology

Calcium, Silver

EAN Barcode

4047025475990

Warranty Period

Refer www.boschaftermarket.com.au

Refer www.boschaftermarket.co.nz

Technical Information

Nominal Voltage

12V

Nominal Capacity (20HR)

74AH

Reserve Capacity

120 Mins

Cold Cranking Amperes (CCA)

680 Amps

Case Size Dimension

Length

278 mm (10.94 inches)

Width

175 mm (6.89 inches)

Container Height

168 mm (6.61 inches)

Total Height (with Terminal)

190 mm (7.48 inches)

Case Size

LN3

Approx Weight (Gross)

19.00 kg (41.80 lbs)

Terminal

(-+)

Container Material

Polypropylene

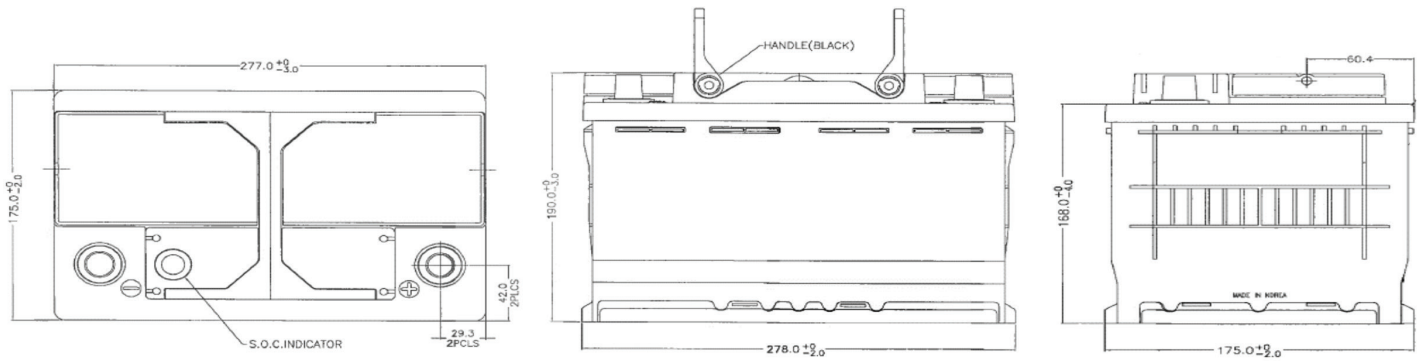
Lid Design

Labrynth Lid

Base Hold Down

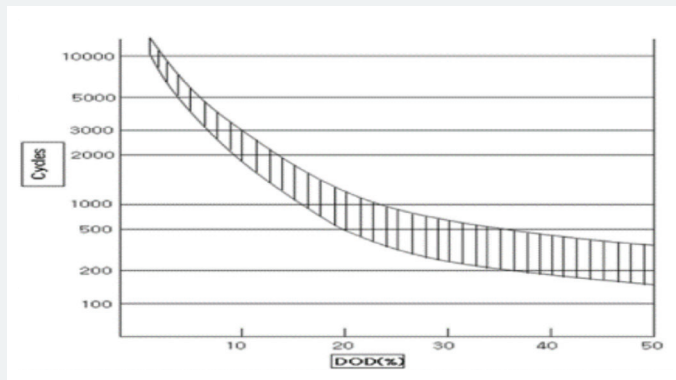
B3

Product Dimension & Design

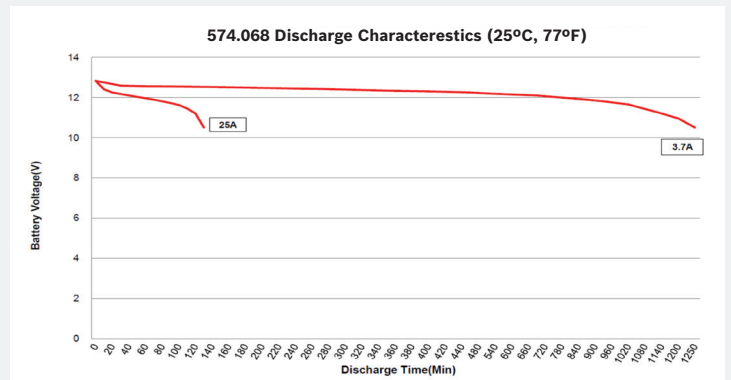


Product Performance Overview

Depth of Discharge Cycling Test



Discharge Characteristics Test



Your address for genuine Bosch quality:

Dealer stamp here: