



**BOSCH**

Invented for life

# Bosch SM Mega Power Silver

574.068R - Maintenance Free / Calcium, Silver Technology

## Applications

Passenger Vehicle  
Light Commercial Vehicle



Image is generic & may vary to actual product

## Bosch Master Data

Short Order Part Number

**574.068R**

Product Series

**SM Mega Power Silver**

Bosch 10 Digit Part Number

**0092S57048**

Technology

**Calcium, Silver**

EAN Barcode

**4047025476003**

Warranty Period

Refer [www.boschaftermarket.com.au](http://www.boschaftermarket.com.au)

Refer [www.boschaftermarket.co.nz](http://www.boschaftermarket.co.nz)

## Technical Information

Nominal Voltage

**12V**

Nominal Capacity (20HR)

**74AH**

Reserve Capacity

**120 Mins**

Cold Cranking Amperes (CCA)

**680 Amps**

### Case Size Dimension

Length

**278 mm (10.94 inches)**

Width

**175 mm (6.89 inches)**

Container Height

**168 mm (6.61 inches)**

Total Height (with Terminal)

**190 mm (7.48 inches)**

Case Size

**LN3**

Approx Weight (Gross)

**19.00 kg (41.80 lbs)**

Terminal

**(+-)**

Container Material

**Polypropylene**

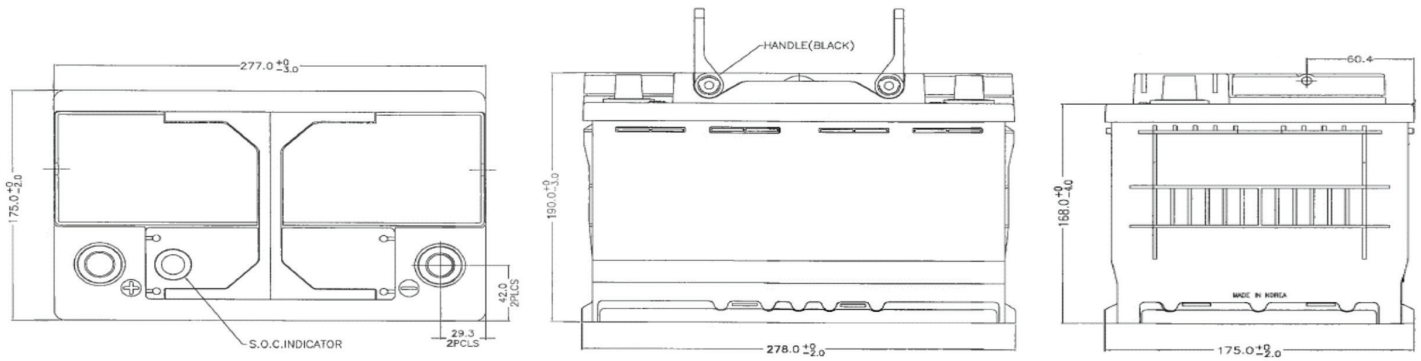
Lid Design

**Labrynth Lid**

Base Hold Down

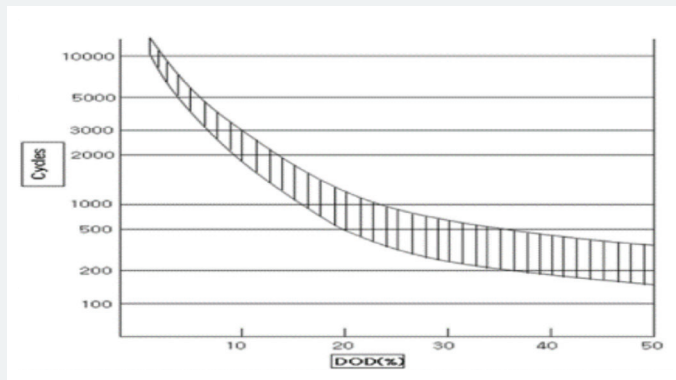
**B3**

# Product Dimension & Design

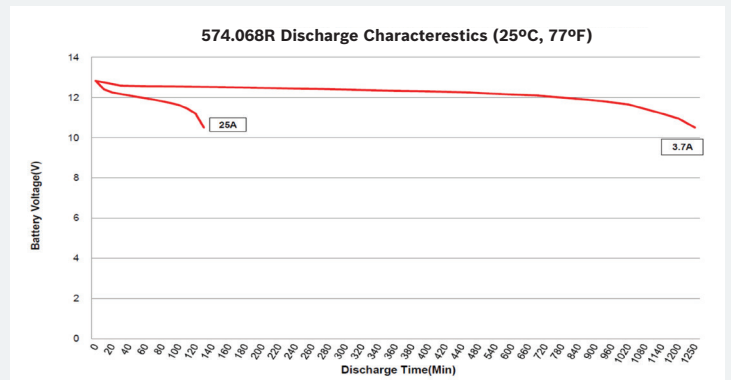


# Product Performance Overview

## Depth of Discharge Cycling Test



## Discharge Characteristics Test



Your address for genuine Bosch quality:

**Dealer stamp here:**