

**BOSCH**

Invented for life

# Bosch SM Mega Power Silver

## 90D23R - Maintenance Free / Calcium, Silver Technology

### Applications

Passenger Vehicle  
Light Commercial Vehicle



Image is generic & may vary to actual product

### Bosch Master Data

Short Order Part Number

**90D23R**

Product Series

**SM Mega Power Silver**

Bosch 10 Digit Part Number

**0986A02235**

Technology

**Calcium, Silver**

EAN Barcode

**4047025475921**

Warranty Period

Refer [www.boschaftermarket.com.au](http://www.boschaftermarket.com.au)

Refer [www.boschaftermarket.co.nz](http://www.boschaftermarket.co.nz)

### Technical Information

Nominal Voltage

**12V**

Nominal Capacity (20HR)

**75AH**

Reserve Capacity

**125 Mins**

Cold Cranking Amperes (CCA)

**650 Amps**

#### Case Size Dimension

Length

**230 mm (9.05 inches)**

Width

**172 mm (6.77 inches)**

Container Height

**200 mm (7.87 inches)**

Total Height (with Terminal)

**222 mm (8.74 inches)**

Case Size

**D23**

Approx Weight (Gross)

**16.60 kg (36.52 lbs)**

Terminal

**(+-)**

Container Material

**Polypropylene**

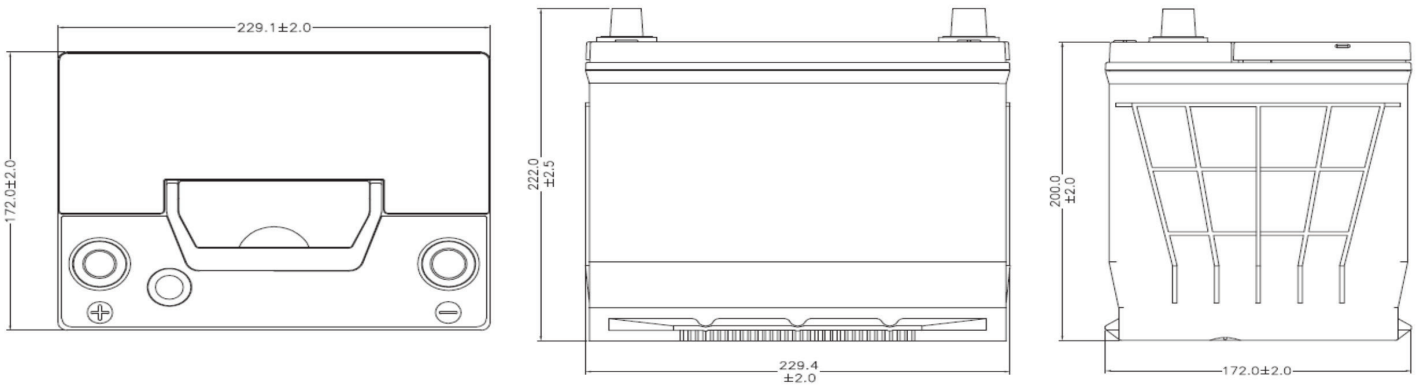
Lid Design

**Labrynth Lid**

Base Hold Down

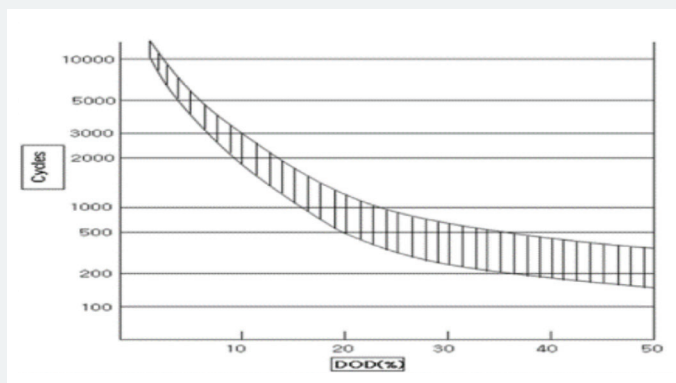
**B7**

# Product Dimension & Design

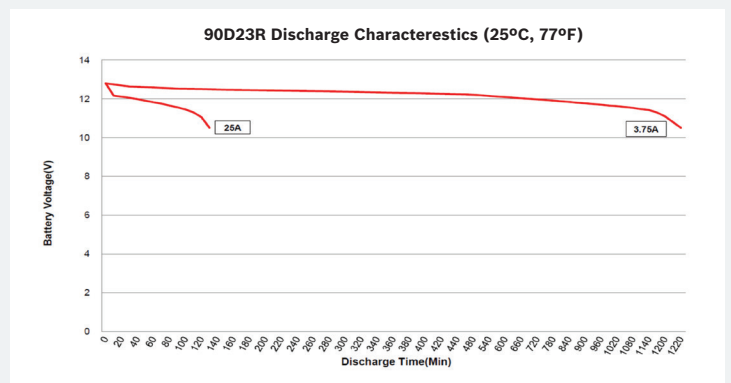


# Product Performance Overview

## Depth of Discharge Cycling Test



## Discharge Characteristics Test



Your address for genuine Bosch quality:

**Dealer stamp here:**