

**BOSCH**

Invented for life

# Bosch SMT Mega Power Plus

## 31-900 – 12V Calcium-Calcium Technology

### Applications

Light & Heavy Commercial Applications including Industrial

### Bosch Master Data

Short Order Part Number	Bosch 13 Digit Part Number	EAN Barcode
<b>31-900</b>	<b>0092S37156HH0</b>	<b>4047024824126</b>
Product Series	Technology	Warranty Period
<b>SMT Mega Power Plus (T4)</b>	<b>Calcium, Calcium</b>	Refer <a href="http://www.boschaftermarket.com.au">www.boschaftermarket.com.au</a> Refer <a href="http://www.boschaftermarket.co.nz">www.boschaftermarket.co.nz</a>

### Technical Information

Nominal Voltage	Nominal Capacity (20HR)
<b>12V</b>	<b>100 AH</b>

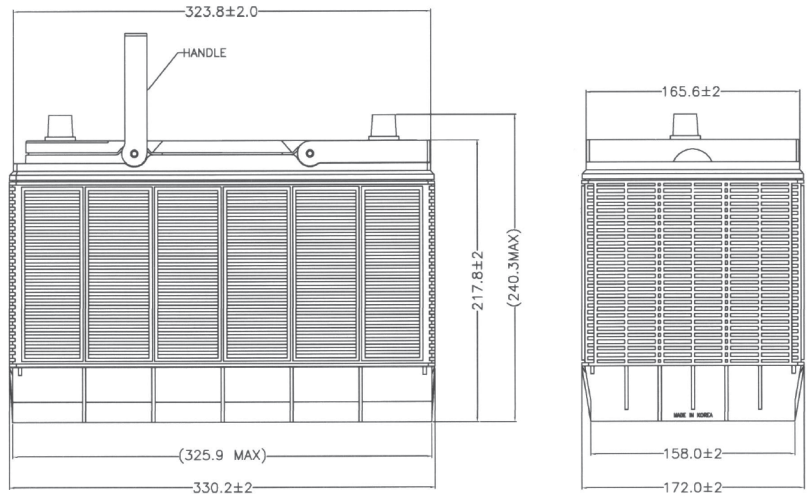
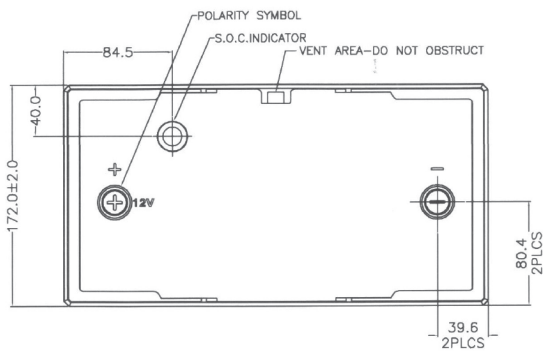
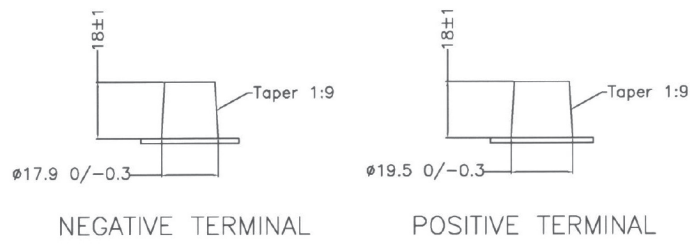
#### Case Size Dimension

Length	Width	Container Height
<b>330mm (13 inches)</b>	<b>173mm (6.81 inches)</b>	<b>220mm (8.66 inches)</b>
Total Height (with Terminal)		
<b>239mm (9.40 inches)</b>		

Approx Weight (Gross)	Terminal	Grid
<b>10.48 kg (23 lbs)</b>	<b>G (Standard)</b>	<b>Expanded</b>
Container Material	Lid Design	
<b>Polypropylene</b>	<b>Labrynth Lid</b>	
Rated Capacity		Internal Battery Resistance
<b>Mins @ 25A = 160 (20hr, 1.75V/cell, 26.7°C/80°F) = 100 AH</b>		<b>2.9mΩ</b>
Operating Temp. Range	Nominal Operating Temp. Range	Self Discharge
<b>Discharge: -30~60°C (-22~140°F)</b>	<b>25°C/77°F</b>	Refer chart

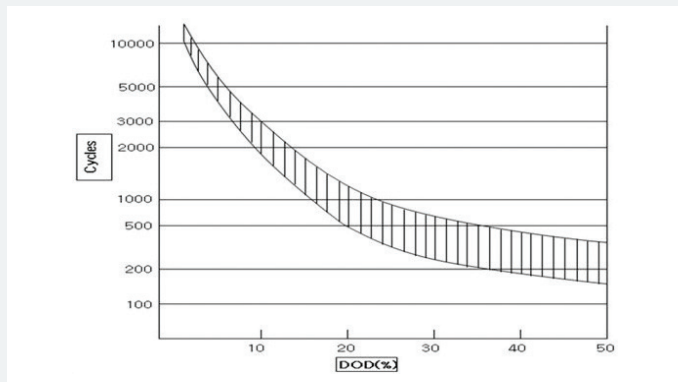
# Product Dimension & Design

## G (Standard)

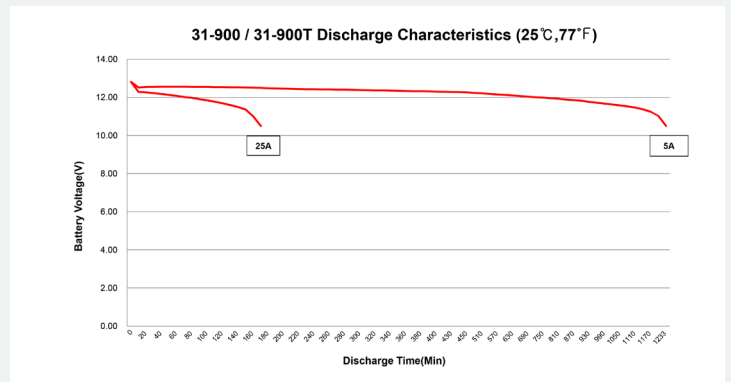


# Product Performance Overview

## Depth of Discharge Cycling Test



## Discharge Characteristics Test



Your address for genuine Bosch quality:

**Dealer stamp here:**