



BOSCH

Invented for life

Bosch Hightech AGM

LN1 - Start-Stop Technology

Applications

Automotive Passenger Vehicles inc Start-Stop



Bosch Master Data

Short Order Part Number	Bosch 13 Digit Part Number	Product Series
LN1	0092S67050HH4	Hightech AGM
Technology	Warranty Period	
AGM (Absorbent Glass Mat)	24 months (Start-Stop use) 36 months (Normal Use)	

Technical Information

Nominal Voltage	Nominal Capacity (20HR)	Reserve Capacity
12V	50 AH	80 mins
Coldcranking Amps (CCA)		
560 Amps		

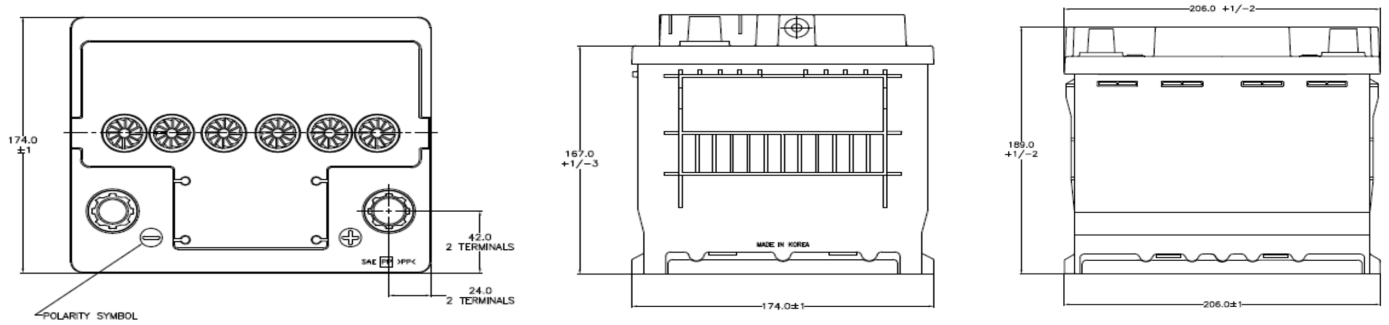
Case Size Dimension

Length	Width	Container Height
206mm (8.10 inches)	174mm (6.85 inches)	167mm (6.57 inches)
Total Height (with Terminal)		
189mm (7.44 inches)		

Approx Weight	Terminal	Container Material
15 kg (33 lbs)	T2	PP-TD20 (Colour - Black)

Product Dimension & Design

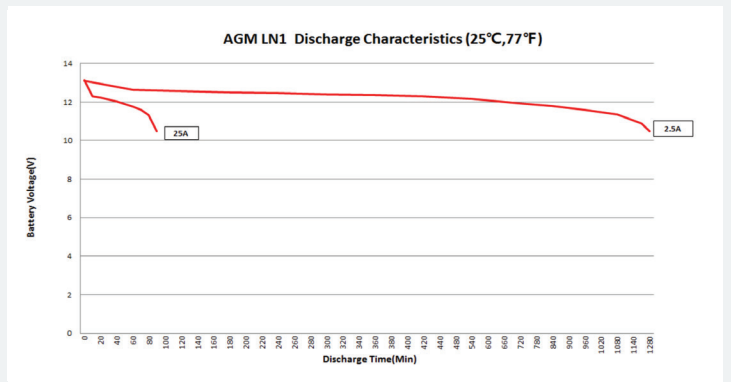
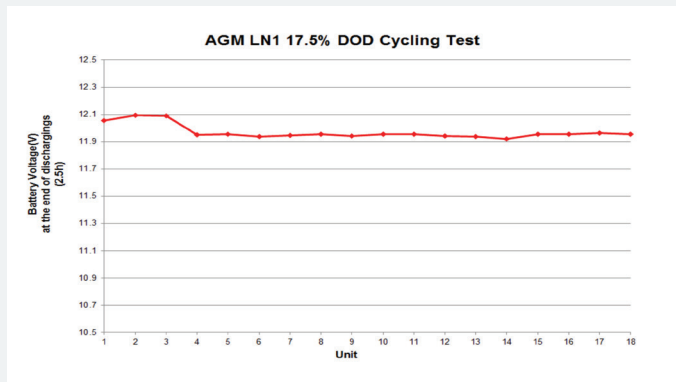
Terminal – T2



Product Performance Overview

Depth of Discharge Cycling Test

Discharge Characteristics Test



Your address for genuine Bosch quality:

Dealer stamp here: