

**BOSCH**

Invented for life

Bosch ST Hightec

LN5 - Maintenance Free / AGM Technology

Applications

Passenger Vehicles

Start / Stop Vehicles inc. Non Start / Stop Applications

Bosch Master Data

Short Order Part Number	Bosch 13 Digit Part Number	EAN Barcode
LN5	0092S67119C0R	4047026230239
Product Series	Technology	Warranty Period
ST Hightec	AGM (Absorbent Glass Mat)	Refer www.boschaftermarket.com.au
		Refer www.boschaftermarket.co.nz

Technical Information

Nominal Voltage	Nominal Capacity (20HR)	Reserve Capacity
12V	92 AH	160 mins

Coldcranking Amps (CCA)

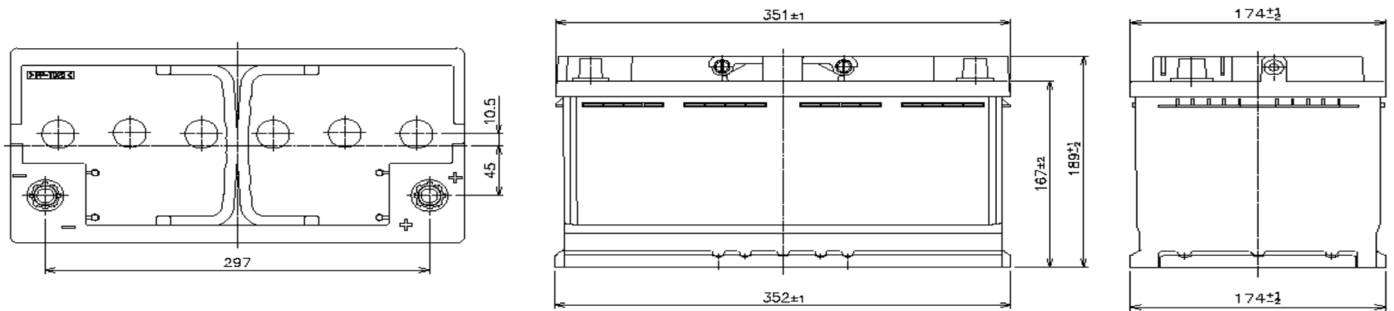
850 Amps

Case Size Dimension

Length	Width	Container Height
352 mm (13.86 inches)	174 mm (6.85 inches)	167 mm (6.57 inches)
Total Height (with Terminal)		
189 mm (7.44 inches)		

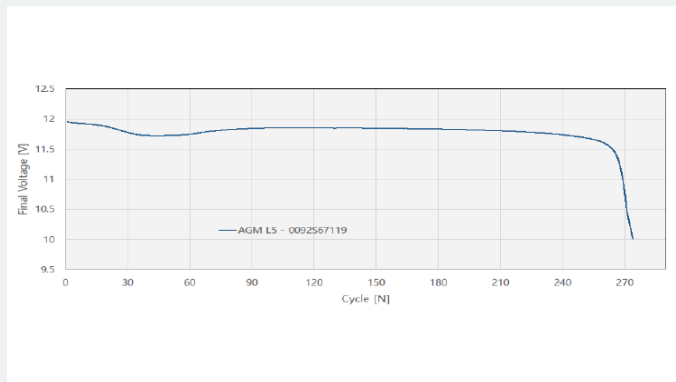
Approx Weight	Terminal	Container Material
27.0 kg (59.4 lbs)	(-+)	Polypropylene
Lid Design	Base Hold Down	
Labrynth Lid	B3	

Product Dimension & Design

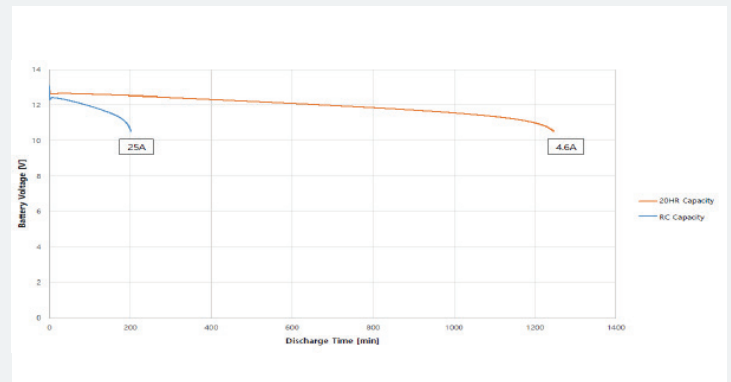


Product Performance Overview

Depth of Discharge Cycling Test



Discharge Characteristics Test



Your address for genuine Bosch quality:

Dealer stamp here: