



**BOSCH**

Invented for life

# Bosch STT Hightec EFB

## EFB-B-185 - Maintenance Free / Enhanced Flooded Battery Technology

### Applications

Heavy Commercial Vehicles



Image is generic & may vary to actual product

### Bosch Master Data

Short Order Part Number

**EFB-B-185**

Product Series

**STT Hightec EFB**

Bosch 10 Digit Part Number

**0092T57000**

Technology

**Enhanced Flooded Battery**

EAN Barcode

**4047026617047**

Warranty Period

Refer [www.boschaftermarket.com.au](http://www.boschaftermarket.com.au)

Refer [www.boschaftermarket.co.nz](http://www.boschaftermarket.co.nz)

### Technical Information

Nominal Voltage

**12V**

Nominal Capacity (20HR)

**185AH**

Reserve Capacity

**360 Mins**

Cold Cranking Amperes (CCA)

**1230 Amps**

#### Case Size Dimension

Length

**511 mm (20.11 inches)**

Width

**222 mm (8.74 inches)**

Container Height

**193 mm (7.59 inches)**

Total Height (with Terminal)

**215 mm (8.46 inches)**

Case Size

**EN B**

Approx Weight (Gross)

**46.90 kg (103.18 lbs)**

Terminal



Container Material

**Polypropylene**

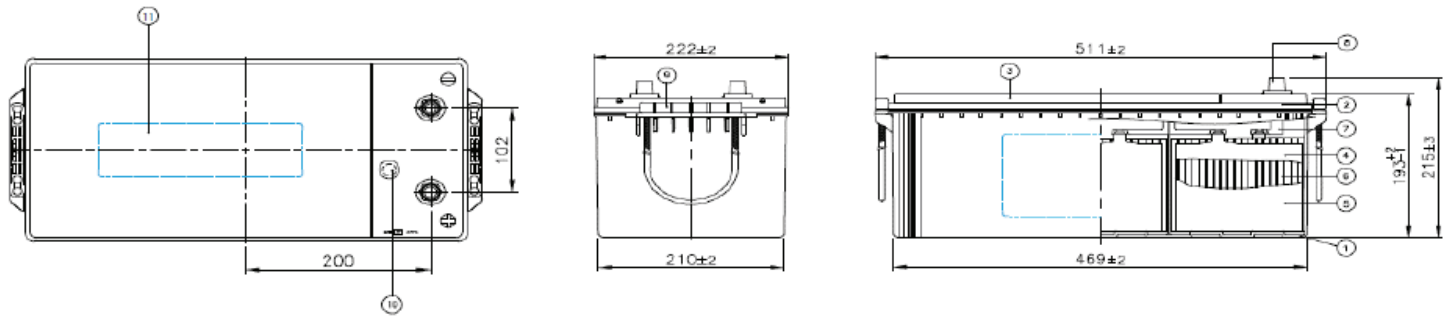
Lid Design

**Labrynth Lid**

Base Hold Down

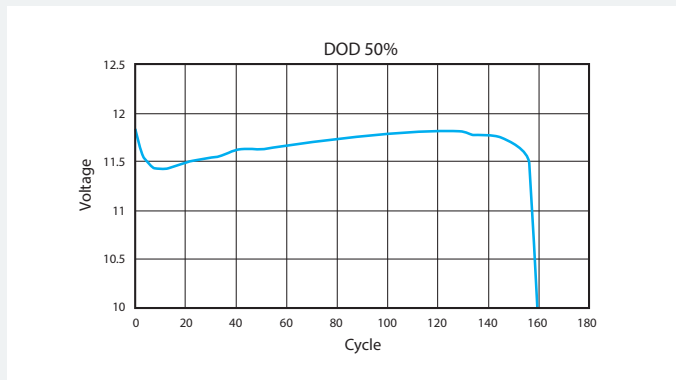
**BX**

# Product Dimension & Design

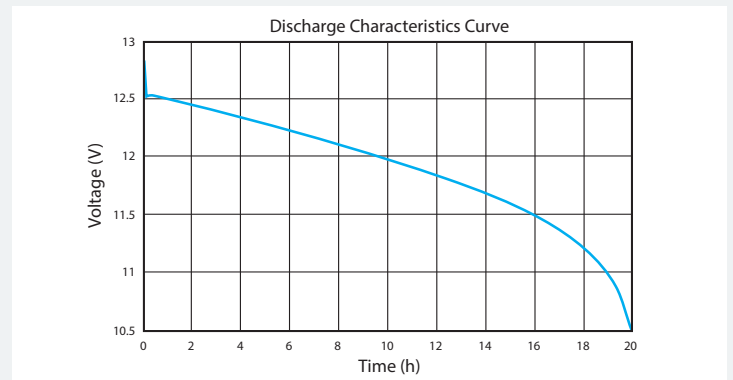


# Product Performance Overview

## Depth of Discharge Cycling Test



## Discharge Characteristics Test



Your address for genuine Bosch quality:

**Dealer stamp here:**