

**BOSCH**

Invented for life

Bosch ST Hightec

S95R - Maintenance Free / EFB Technology

Applications

Passenger Vehicles (Start / Stop Applications)

Bosch Master Data

Short Order Part Number	Bosch 13 Digit Part Number	EAN Barcode
S95R	0092S57114HH4	4047026257427
Product Series	Technology	Warranty Period
ST Hightec	EFB (Enhanced Flooded Battery)	Refer www.boschaftermarket.com.au
		Refer www.boschaftermarket.co.nz

Technical Information

Nominal Voltage	Nominal Capacity (20HR)	Reserve Capacity
12V	80 AH	150 mins

Coldcranking Amps (CCA)

720 Amps

Case Size Dimension

Length	Width	Container Height
259 mm (10.2 inches)	172 mm (6.77 inches)	199 mm (7.83 inches)

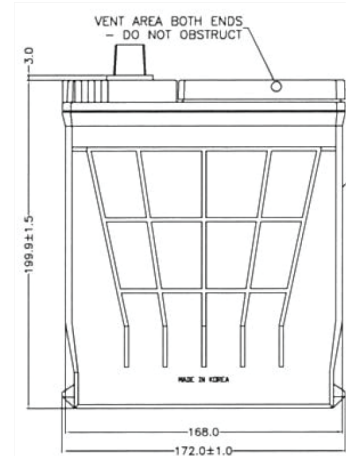
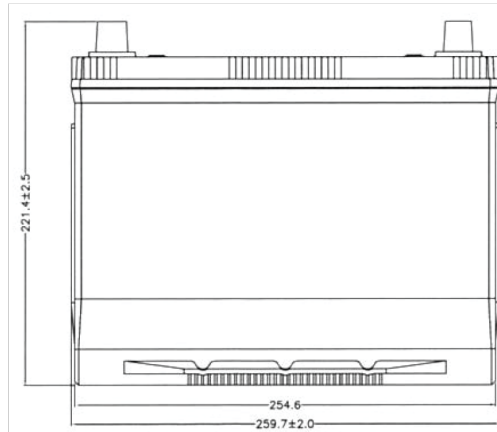
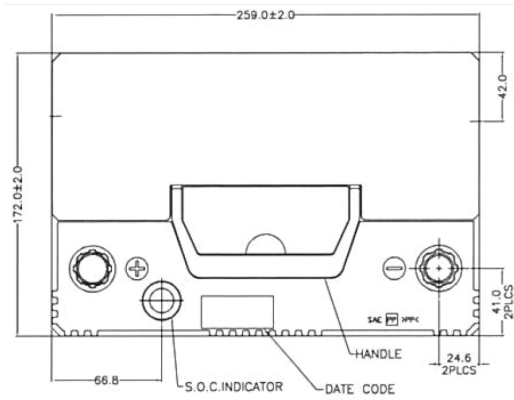
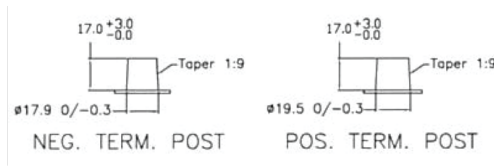
Total Height (with Terminal)

222 mm (8.74 inches)

Approx Weight	Terminal	Container Material
20.3 kg (44.6 lbs)	(+)	Polypropylene
Lid Design	Base Hold Down	
Labrynth Lid	B7	

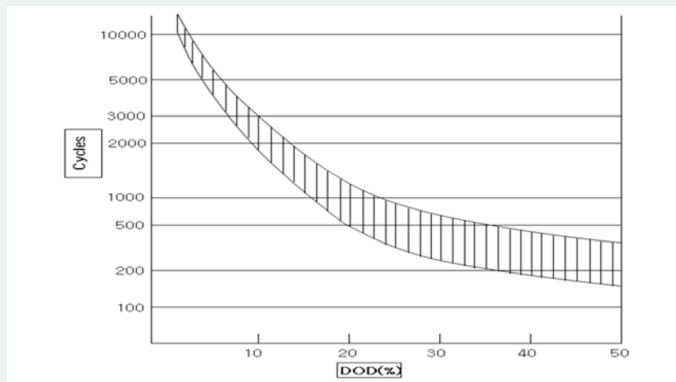
Product Dimension & Design

Terminal

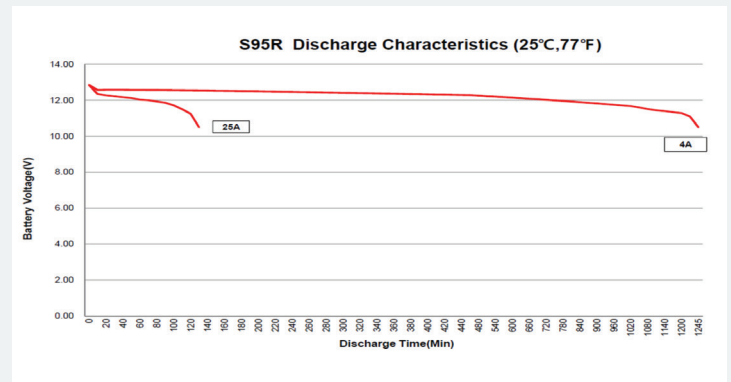


Product Performance Overview

Depth of Discharge Cycling Test



Discharge Characteristics Test



Your address for genuine Bosch quality:

Dealer stamp here: