



Bosch

Installation Guidelines for Cabin Filters

Part Number: AP-H06
0986 AF7 001

This manual describes how to replace the cabin filter. Before installing, please be sure to read this book to ensure safe and correct installation.

Estimated Installation Time: 5-10 minutes

In some cases, tools are required and replacement work adds additional time.

Recommended replacement time

1 year or 10,000km

However, it is recommended to check and replace your cabin filter as soon as possible when driving in heavily soiled areas.

The contents of this installation guide are accurate as of May 2022

Precautions for installation and use

- Be sure to park your vehicle in a safe place with the engine and air conditioner turned off before commencing the replacement process.
- When replacing your cabin filter, please refer to the instruction manual of the vehicle, maintenance manual, etc.
- This guide is just an example and may differ from the actual vehicle.
- Please refrain from unreasonable work. It may result in damaging the vehicle or personal injury.
- If you are not confident in the work please consult your local workshop.
- Check the direction of the arrow so that you do not mistake the front and back of the filter when installing.
- This product displays AIR FLOW (wind direction) with an arrow, but other companies may display "TOP UP" on their filters.

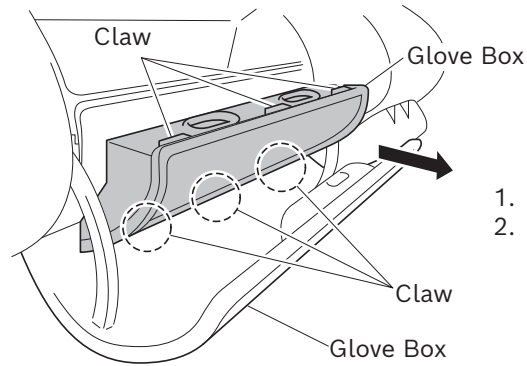
Robert Bosch (Australia) Pty. Ltd.

1555 Centre Road
Clayton VIC 3168

For Further information please contact Bosch on:
Email: CustomerService.AA@au.bosch.com
Australia: **1300 307 040** www.boschaftermarket.com.au
New Zealand **0800 452 896** www.boschaftermarket.co.nz

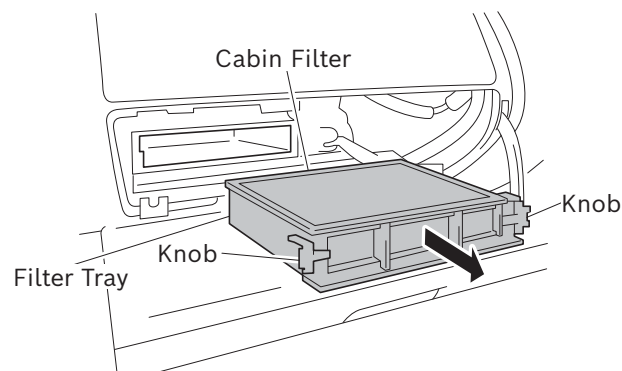
H06 Cabin Filter Installation Guide

1. How to remove the glove box



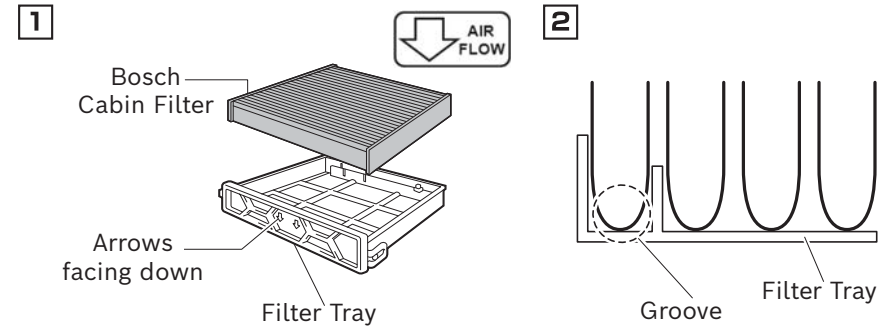
1. Open the lower glove box cover.
2. Remove the claws (6 places) of the glove box in the direction of the arrow

2. How to remove the Cabin Filter



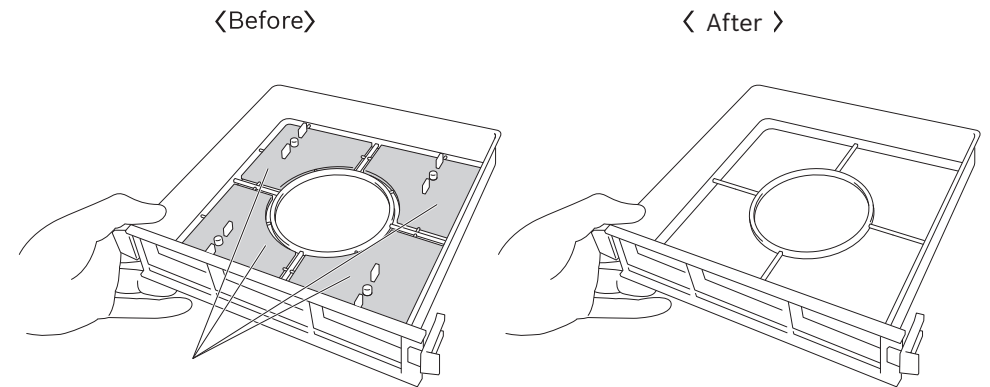
1. Hold the left and right knobs of the filter tray, and pull it out from the front.

3. Installing your Bosch Cabin Filter



1. Install the Bosch Cabin Filter with the guidance arrows pointing downward and inserting the folds of the filter into the groove of the filter tray.
2. Restore the removed vehicle parts to their original positions.

In the case your Filter Tray has a cover



Cars without an optional filter may have a filter tray with a hidden cover.

1. In this case, cut off the cover with nippers, etc.
2. Install the Cabin Filter as specified in Step 3

⚠ Attention

- This work procedure is an example and may vary across different vehicles.
- Bosch's cabin filter indicates airflow with an arrow on the product. Please note that the arrow may indicate "TOP" on other genuine or IAM products.
- Please read the "Precautions for installation and use" on the installation guide cover before commencing.
- NOTE: used cabin filters cannot be cleaned and reused.