



Bosch

Installation Guidelines for Cabin Filters

Part Number: AP-N11
0986 AF7 022

This manual describes how to replace the cabin filter. Before installing, please be sure to read this book to ensure safe and correct installation.

Estimated Installation Time: 5-10 minutes

In some cases, tools are required and replacement work adds additional time.

Recommended replacement time

1 year or 10,000km

However, it is recommended to check and replace your cabin filter as soon as possible when driving in heavily soiled areas.

The contents of this installation guide are accurate as of May 2022

Precautions for installation and use

- Be sure to park your vehicle in a safe place with the engine and air conditioner turned off before commencing the replacement process.
- When replacing your cabin filter, please refer to the instruction manual of the vehicle, maintenance manual, etc.
- This guide is just an example and may differ from the actual vehicle.
- Please refrain from unreasonable work. It may result in damaging the vehicle or personal injury.
- If you are not confident in the work please consult your local workshop.
- Check the direction of the arrow so that you do not mistake the front and back of the filter when installing.
- This product displays AIR FLOW (wind direction) with an arrow, but other companies may display "TOP UP" on their filters.

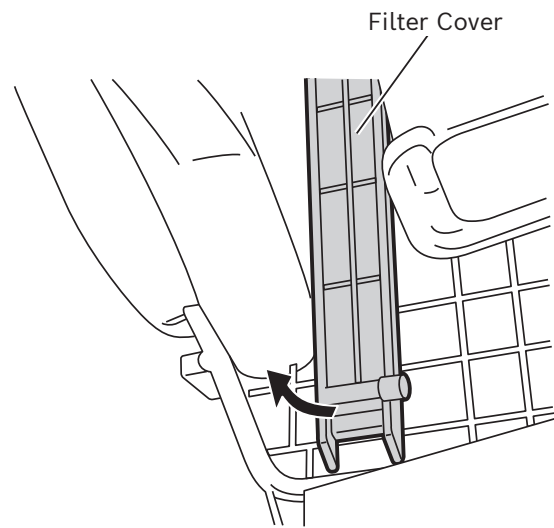
Robert Bosch (Australia) Pty. Ltd.
1555 Centre Road
Clayton VIC 3168

For Further information please contact Bosch on:
Email: CustomerService.AA@au.bosch.com
Australia: **1300 307 040** www.boschaftermarket.com.au
New Zealand **0800 452 896** www.boschaftermarket.co.nz

N11 Cabin Filter Installation Guide

1. How to remove the filter cover

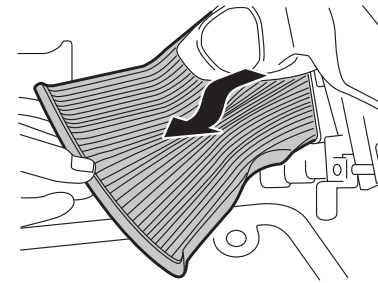
1



1. Locate the Cabin Filter in the centre console at the front of the passenger feet area
2. Remove the filter cover by pulling it forward

2. How to replace your Cabin Filter with a Bosch Cabin Filter

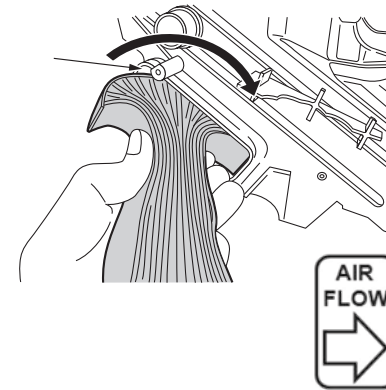
1



1. Remove the old Cabin Filter by pulling it towards yourself (Please note the filter is likely to squeeze together as depicted)

(NOTE: When removing the old Cabin Filter, please handle carefully so as not to damage it as it may impact performance of the air-conditioning system)

2



2. Insert your Bosch Cabin Filter so that the "AIR FLOW" arrow faces downwards
3. Restore the removed vehicle parts to their original positions

(NOTE: When inserting your Bosch Cabin Filter, it will be easier to work with if you press sides of the filter together as displayed above)

⚠ Attention

- This work procedure is an example and may vary across different vehicles.
- Bosch's cabin filter indicates airflow with an arrow on the product. Please note that the arrow may indicate "TOP" on other genuine or IAM products.
- Please read the "Precautions for installation and use" on the installation guide cover before commencing.
- NOTE: used cabin filters cannot be cleaned and reused.